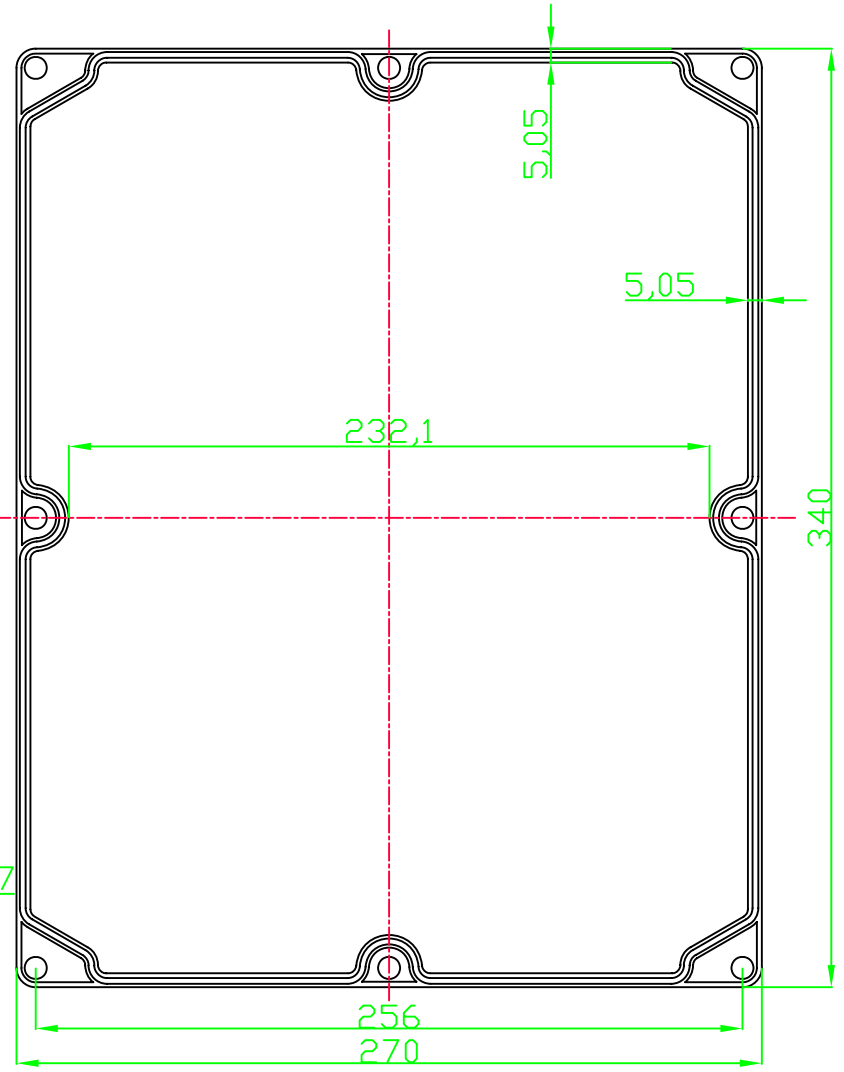

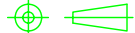


BOTTOM



COVER

← (mm) →		CHKD zhongjue	DATE 01/12/09	 CHINA ENCLOSURE 赛诺模具壳体 WWW.CHINA-ENCLOSURE.COM	
TOLERANCES EXCEPT AS NOTED		MFD Mao	DATE 01/16/09		
MM		APPVL	DATE	TITLE	
.0 ± 0.2	±	MATERIAL : ABS		CN746	
.00 ± 0.1	±	QT'Y :			
.000 ± 0.05	±	FINISH:		DRAWING NO. /PART NO.	
ANGLES ± 5°		SCALE : 1:1		SIZE A4	
 THIRD ANGLE PROJECTION		DO NOT SCALE DRAWING		REV REV2	
				SHEET 1 OF 1	