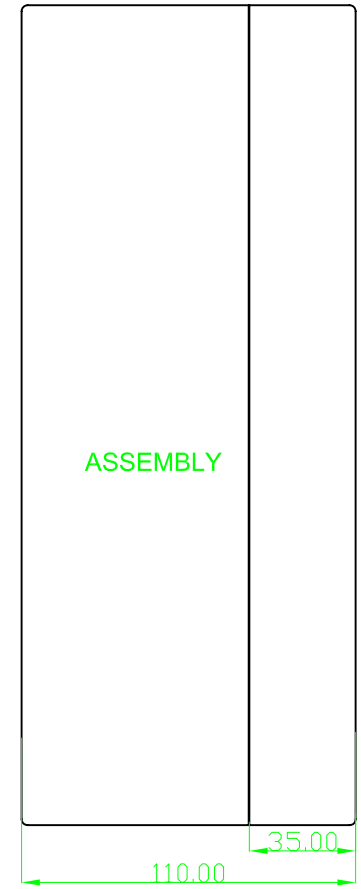
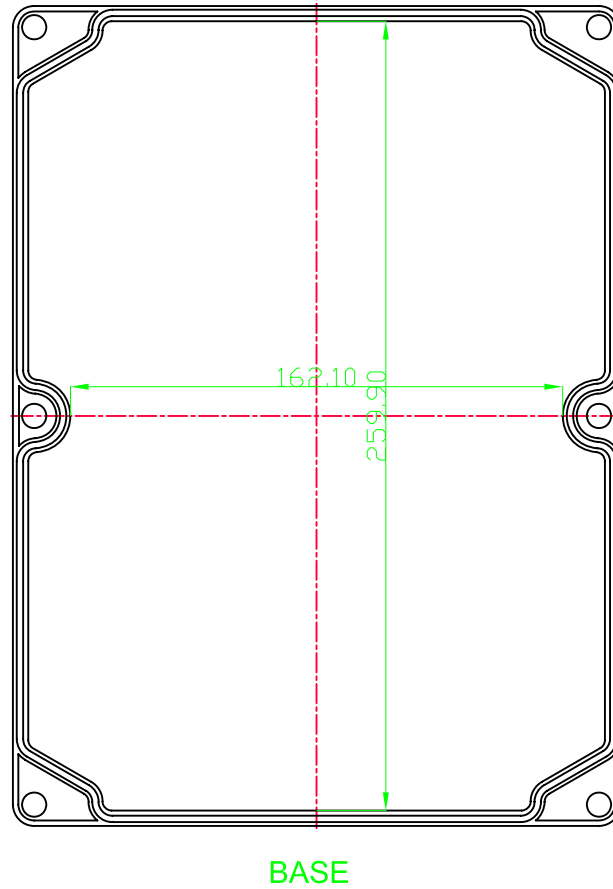
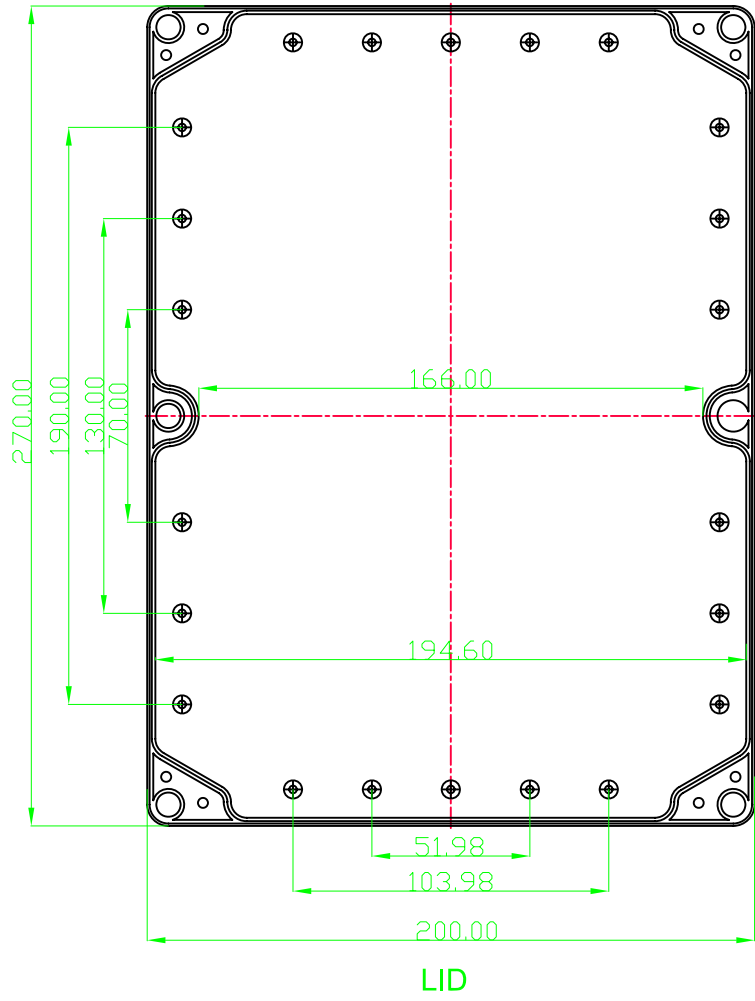


	CHKD



← (mm) →		CHKD zhangjib	DATE 06/13/08	China-enclosure 赛诺模具壳体 CHINA ENCLOSURE WWW.CHINA-ENCLOSURE.COM
TOLERANCES EXCEPT AS NOTED		MFD SUNNY	DATE 06/16/08	
MM		APPVL	DATE	TITLE CN730
.0 ± 0.2	±			
.00 ± 0.1	±	MATERIAL : ABS		DRAWING NO. /PART NO.
.000 ± 0.05	±	ANGLES ± 5°	QT'Y :	
			FINISH:	SIZE A4
		THIRD ANGLE PROJECTION	SCALE : 1:1	REV REV2
			DO NOT SCALE DRAWING	SHEET 1 OF 1