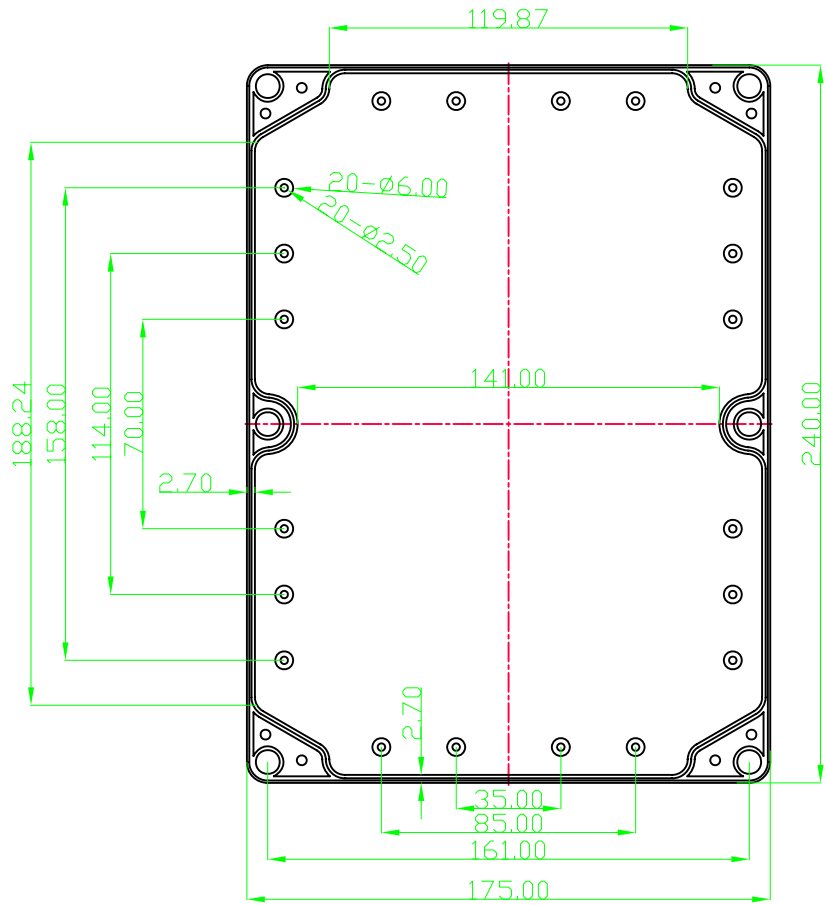
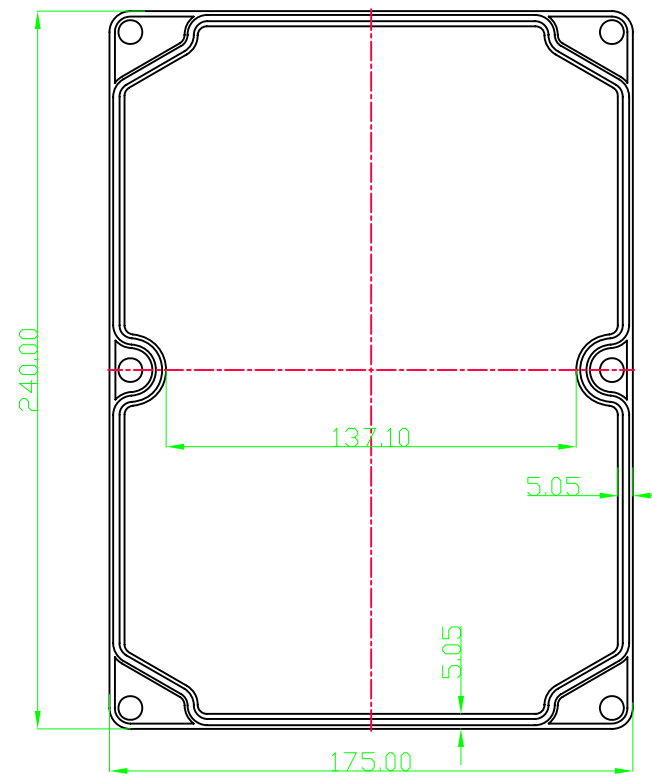


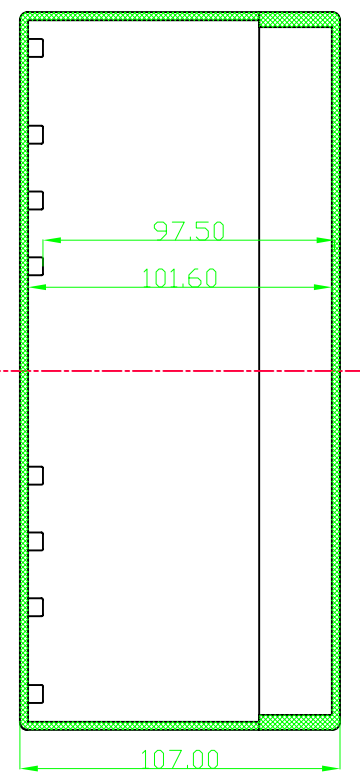
	CHKD



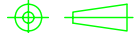
Bottom



COVER



ASSEMBLY

← (mm) →		CHKD zhangjue	DATE 03/12/09	<b>China-enclosure</b> 赛诺模具壳体	<b>CHINA ENCLOSURE</b> WWW.CHINA-ENCLOSURE.COM
TOLERANCES EXCEPT AS NOTED		MFD SUNNY	DATE 03/16/09		
MM		APPVL	DATE	TITLE <b>CN723</b>	
.0 ± 0.2	±				
.00 ± 0.1	±	MATERIAL : <b>ABS</b>		DRAWING NO. /PART NO.	
.000 ± 0.05	±	QT'Y :			
ANGLES ± 5°		FINISH:		SIZE <b>A4</b>	
		SCALE : <b>1:1</b>			
THIRD ANGLE PROJECTION		DO NOT SCALE DRAWING		SHEET <b>1</b> OF <b>1</b>	