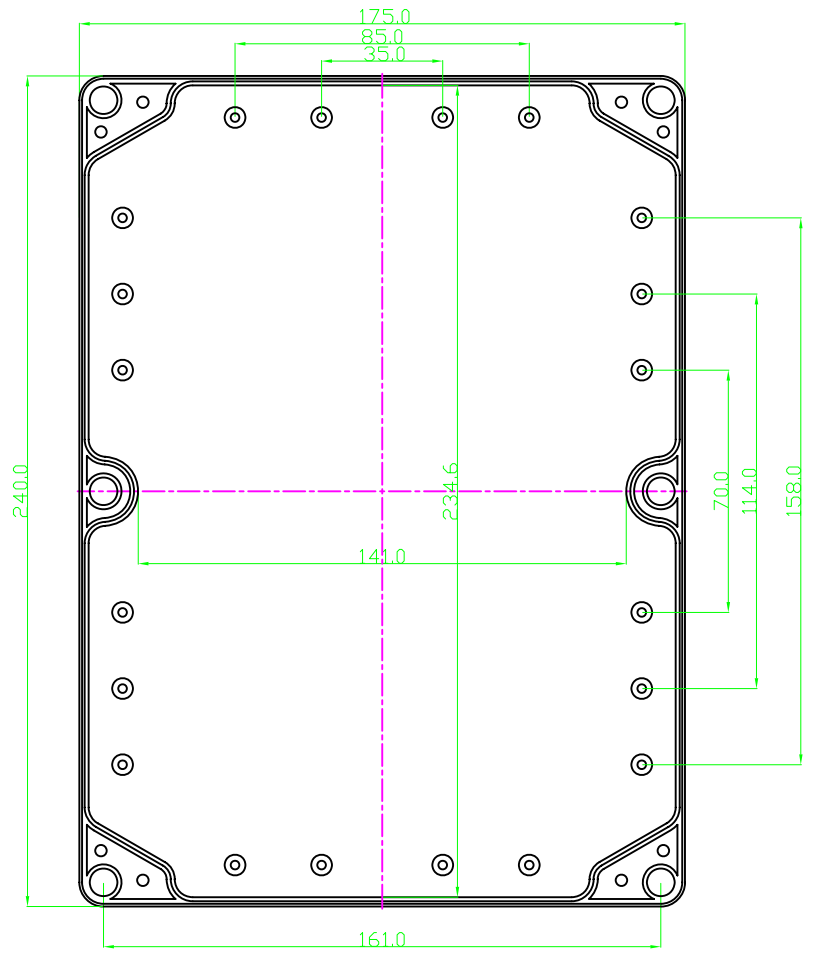
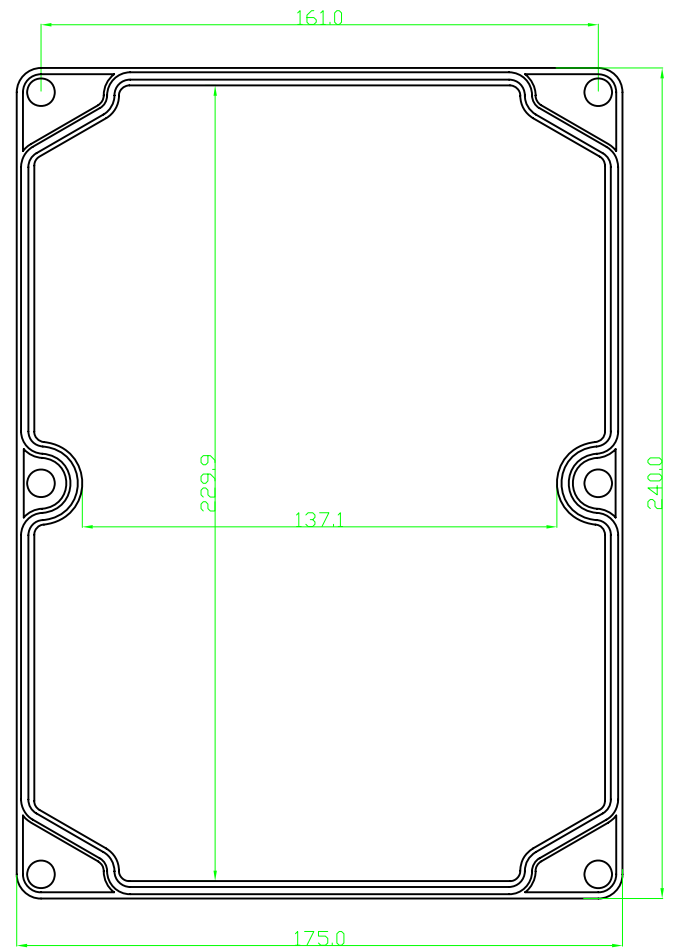


ASSEMBLY



Bottom



COVER

(mm)		CHKD zhongjiao	DATE 01/12/09	CHINA ENCLOSURE 赛诺模具壳体 WWW.CHINA-ENCLOSURE.COM
TOLERANCES EXCEPT AS NOTED		MFD SUNNY	DATE 01/16/09	
MM	±	APPVL	DATE	TITLE
.0 ± 0.2	±	MATERIAL : ABS		CN722
.00 ± 0.1	±	QTY :	DRAWING NO.	
.000 ± 0.05	±	FINISH :	/PART NO.	
ANGLES ± 5°		SCALE : 1:1	DO NOT SCALE DRAWING	SHEET 1 OF 1
 THIRD ANGLE PROJECTION				SIZE A4 REV REV2