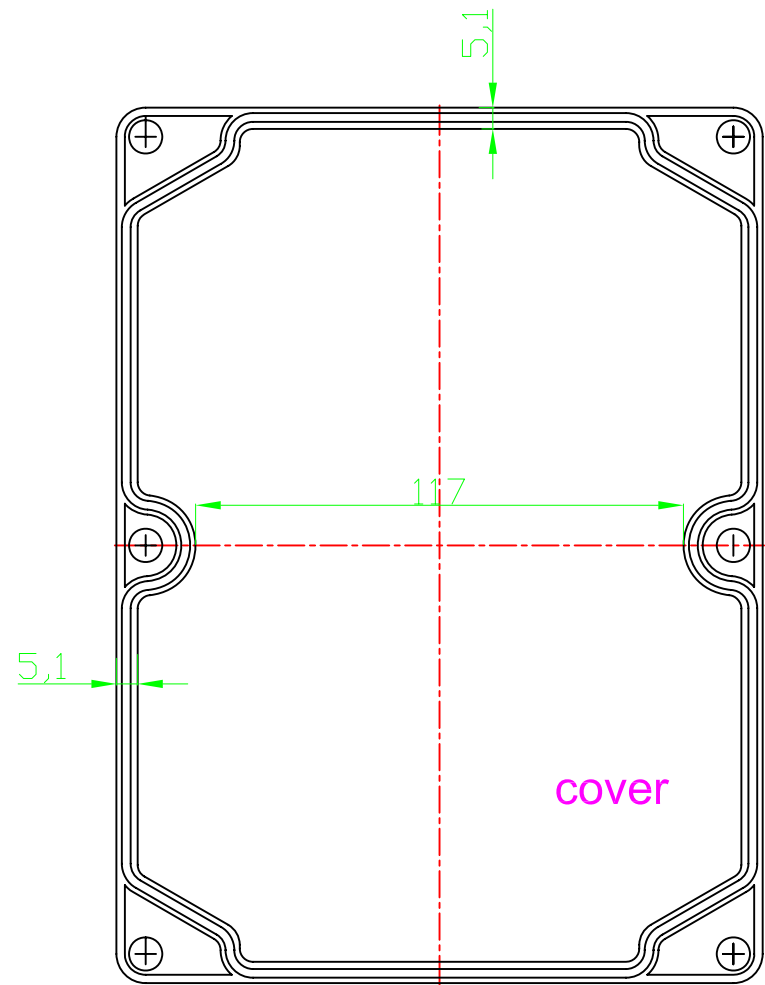
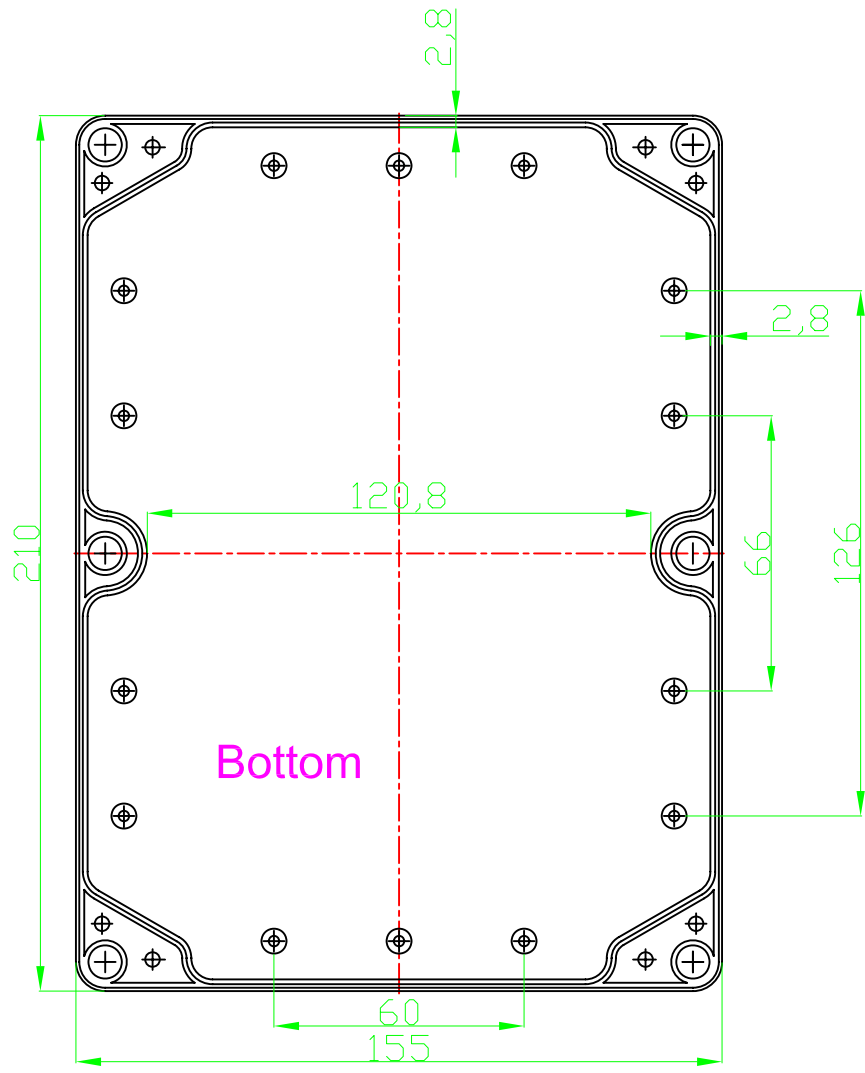


CHKD



← (mm) →		CHKD zhongjie	DATE 01/12/01	CHINA ENCLOSURE 赛诺模具壳体 WWW.CHINA-ENCLOSURE.COM		
TOLERANCES EXCEPT AS NOTED		MFD SUNNY	DATE 01/16/01			
DETACHED LISTS	MM	±	APPVL	DATE	TITLE CN715	
	.0 ± 0.2	±				
	.00 ± 0.1	±			DRAWING NO.	SIZE
	.000 ± 0.05	±			/PART NO.	REV
ANGLES ± 5°		QT'Y :		DRAWING NO.		SIZE
 THIRD ANGLE PROJECTION		FINISH:		/PART NO.		REV
		SCALE : 1:1		DO NOT SCALE DRAWING		REV2
				SHEET 1		OF 1