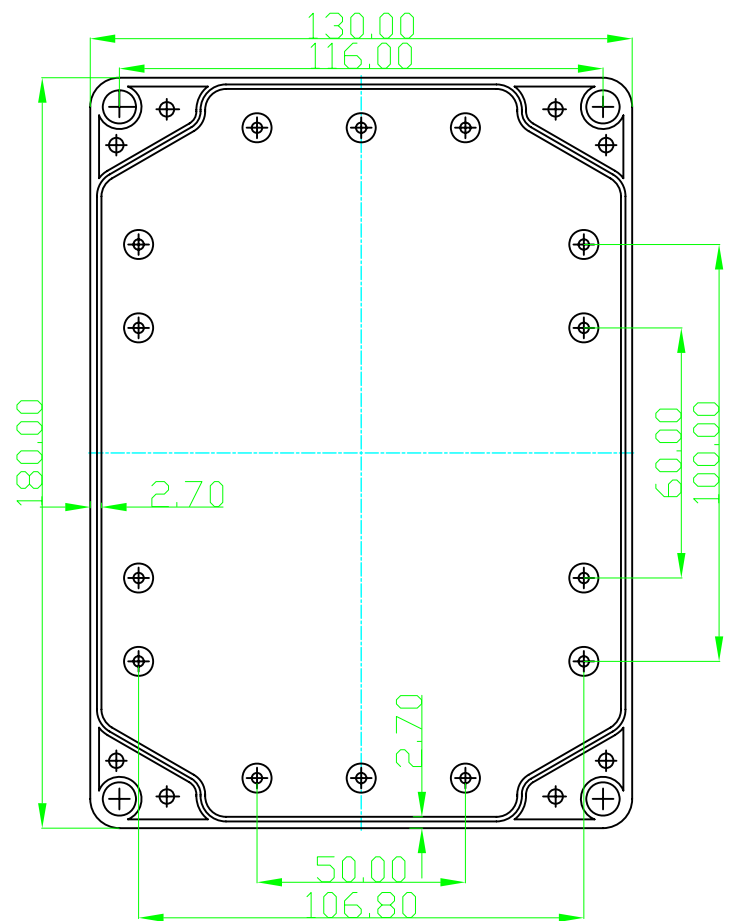
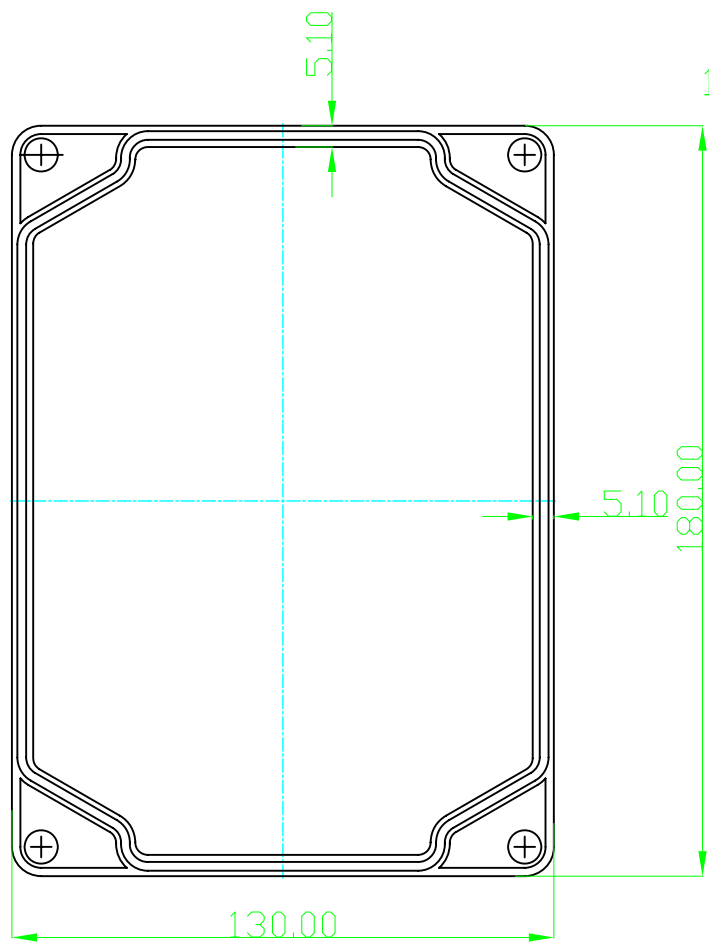


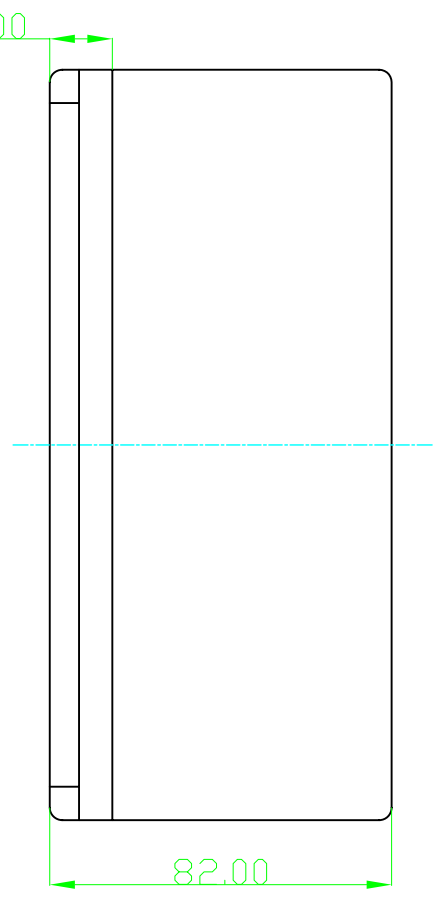
	CHKD



Bottom



cover



ASSEMBLY

(mm)		CHKD zhangjie	DATE 01/12/01	China-enclosure CHINA ENCLOSURE 赛诺模具壳体 WWW.CHINA-ENCLOSURE.COM	
TOLERANCES EXCEPT AS NOTED		MFD SUNNY	DATE 01/16/01		
MM	±	APPVL	DATE	TITLE CN711	
.0 ± 0.2	±				
.00 ± 0.1	±			DRAWING NO. /PART NO.	
.000 ± 0.05	±				
ANGLES ± 5°		MATERIAL : ABS		SIZE A4	
THIRD ANGLE PROJECTION		FINISH:			
		SCALE : 1:1		REV REV2	
		DO NOT SCALE DRAWING			
				SHEET 1	OF 1