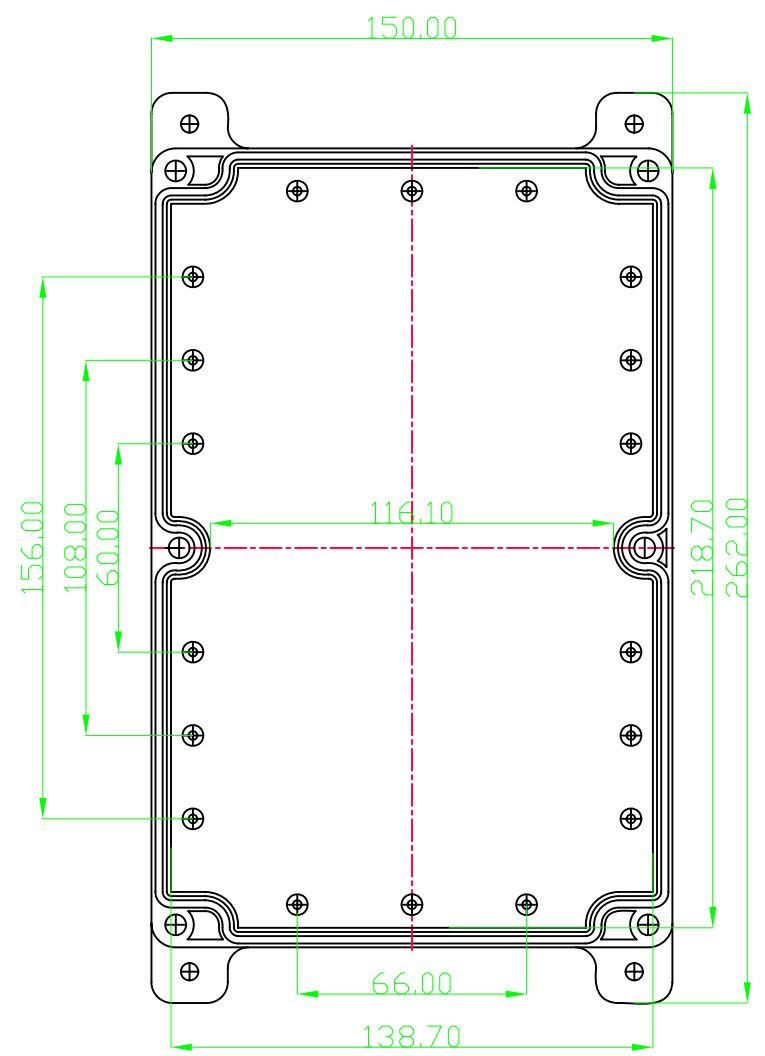
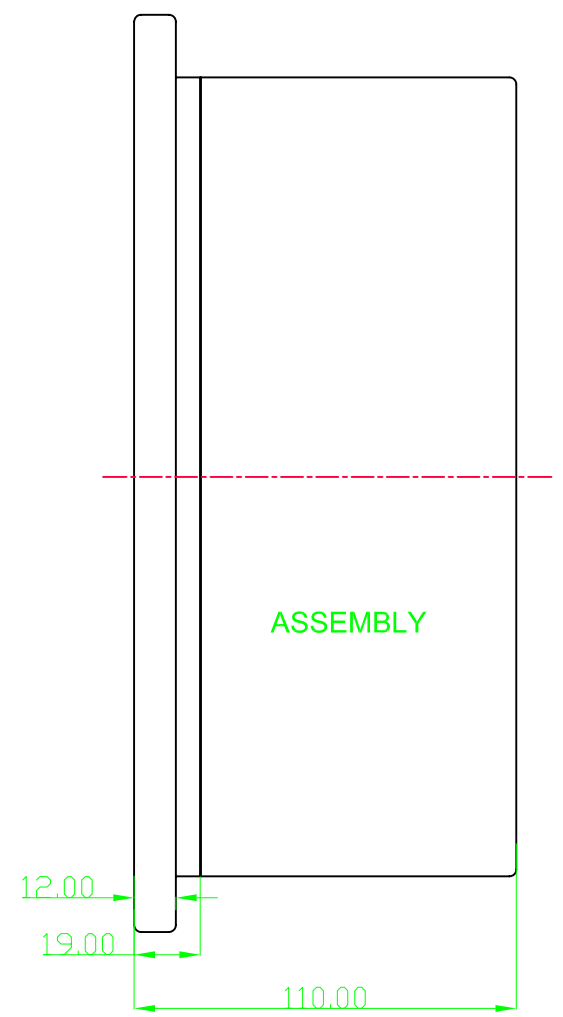


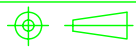
LID



BASE



ASSEMBLY

← (mm) →		CHKD zhangjue	DATE 01/12/09	China-enclosure 赛诺模具壳体 CHINA ENCLOSURE WWW.CHINA-ENCLOSURE.COM
TOLERANCES EXCEPT AS NOTED		MFD SUNNY	DATE 01/16/09	
DETACHED LISTS	MM	±	APPVL	DATE
	.0 ± 0.2	±	MATERIAL : ABS	
	.00 ± 0.1	±	TITLE	
	.000 ± 0.05	±	CN704	
ANGLES ± 5°		QT'Y :	DRAWING NO.	
 THIRD ANGLE PROJECTION		FINISH:	/PART NO.	
		SCALE : 1:1	DO NOT SCALE DRAWING	SHEET 1 OF 1
				SIZE A4
				REV REV2