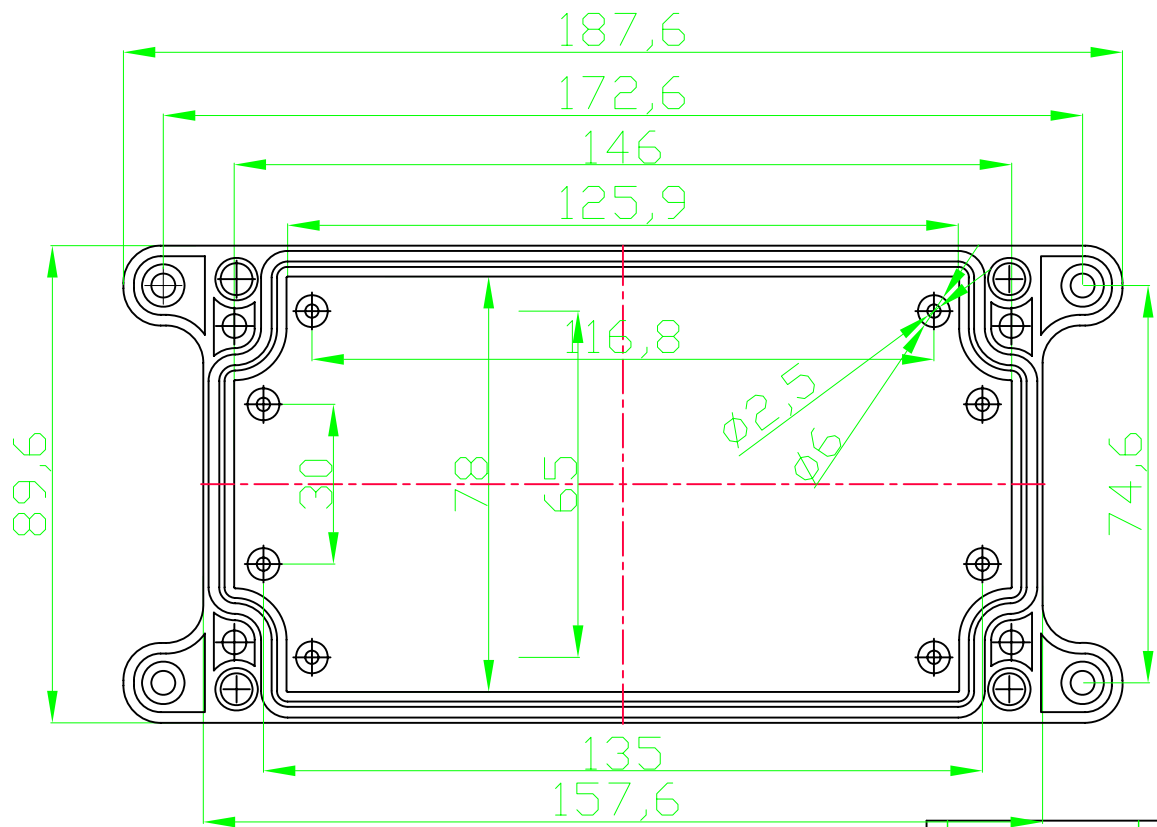
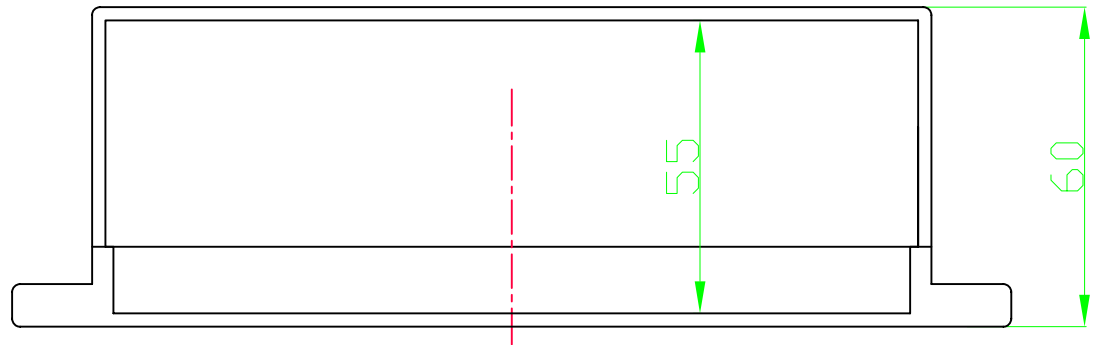


	CHKD



(mm)		CHKD zhongjie	DATE 01/12/01	CHINA ENCLOSURE 赛诺模具壳体 WWW.CHINA-ENCLOSURE.COM	
TOLERANCES EXCEPT AS NOTED		MFD Li	DATE 01/16/01		
MM		APPVL	DATE	TITLE CN693	
.0 ± 0.2	±	MATERIAL : ABS			
.00 ± 0.1	±	QT'Y :		DRAWING NO.	
.000 ± 0.05	±	FINISH:		/PART NO.	
ANGLES ± 5°		SCALE : 1:1		DO NOT SCALE DRAWING	
 THIRD ANGLE PROJECTION				SIZE A4	REV REV2
				SHEET 1	OF 1