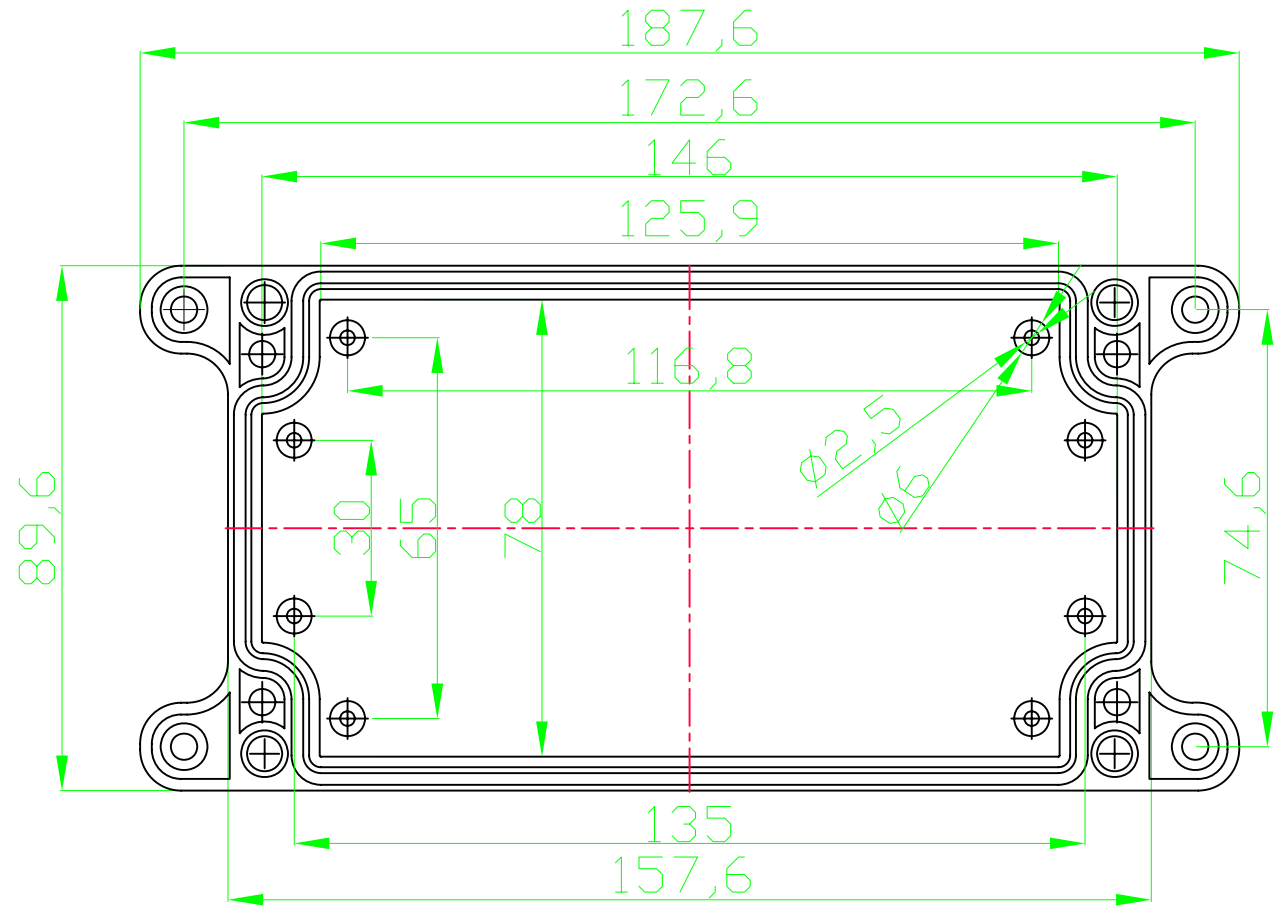
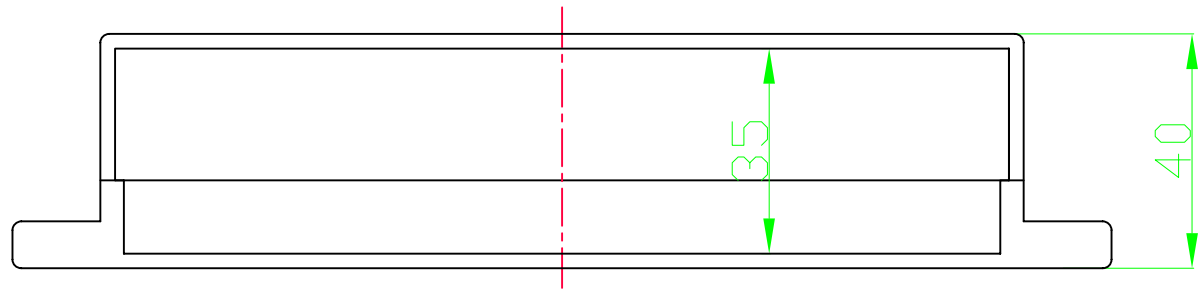

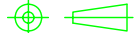


CHKD



← (mm) →		CHKD zhongjoe	DATE 01/12/01	 CHINA ENCLOSURE 赛诺模具壳体 WWW.CHINA-ENCLOSURE.COM	
TOLERANCES EXCEPT AS NOTED		MFD Li	DATE 01/16/01		
MM		APPVL	DATE	TITLE	
.0 ± 0.2	±	MATERIAL : ABS		CN693	
.00 ± 0.1	±	QT'Y :			
.000 ± 0.05	±	FINISH:		DRAWING NO.	
ANGLES ± 5°		SCALE : 1:1		/PART NO.	
 THIRD ANGLE PROJECTION		DO NOT SCALE DRAWING		SIZE	REV
				A4	REV2
				SHEET 1	OF 1