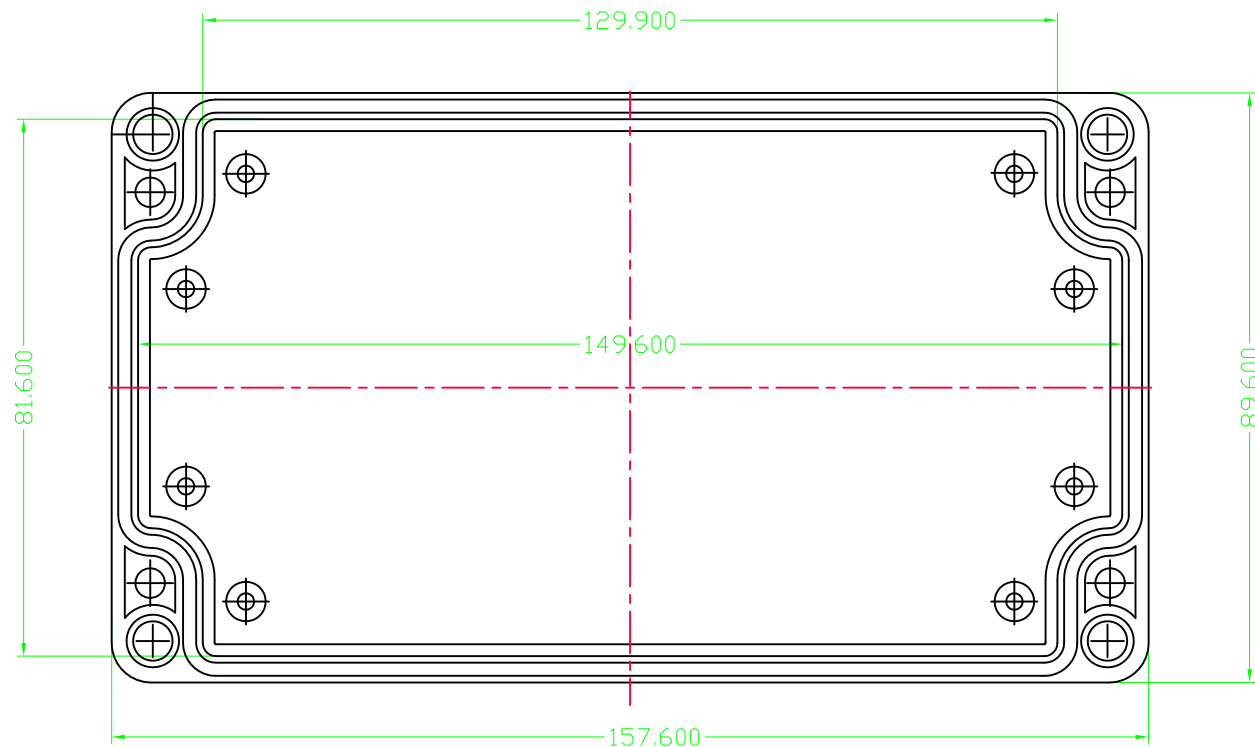
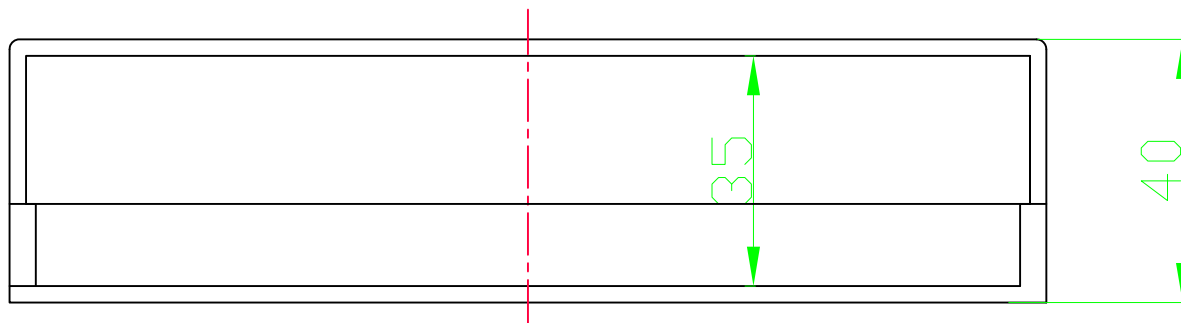


	CHKD



← (mm) →		CHKD zhongjie	DATE 01/12/09	CHINA ENCLOSURE 赛诺模具壳体 WWW.CHINA-ENCLOSURE.COM		
TOLERANCES EXCEPT AS NOTED		MFD SUNNY	DATE 01/16/09			
DETACHED LISTS	MM		APPVL	DATE	TITLE CN692	
	.0 ± 0.2	±				
	.00 ± 0.1	±	MATERIAL : ABS		DRAWING NO. /PART NO.	
	.000 ± 0.05	±	QT'Y :			
ANGLES ± 5°		FINISH:		SIZE A4		
 THIRD ANGLE PROJECTION		SCALE : 1:1		REV REV2		
DO NOT SCALE DRAWING			SHEET 1		OF 1	