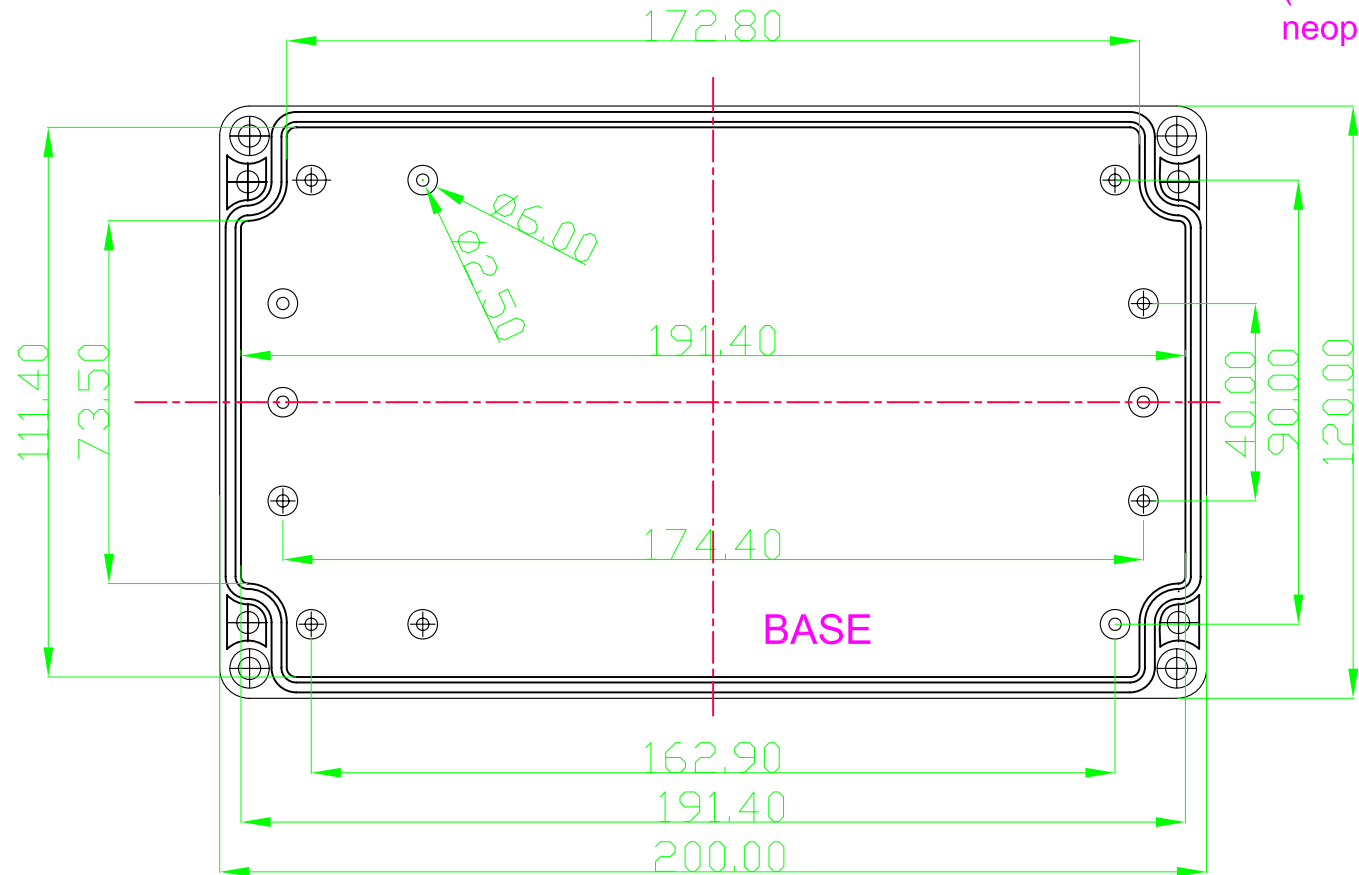


**REMARKS**  
 1:the lid and the base part are supplied with a continuous groove and tongue system with neoprene sealing.  
 2:as standard delivered with lid fixing screws (antimagnetic) with threads M4 and neoprene sealing.



TOLERANCES EXCEPT AS NOTED		CHKD zhongjie	DATE 02/17/09	<b>CHINA ENCLOSURE</b> 赛诺模具壳体 WWW.CHINA-ENCLOSURE.COM	
		MFD SUNNY	DATE 02/18/09		
DETACHED LISTS		APPVL	DATE	TITLE	
MM				<b>CN686</b> DRAWING NO. /PART NO. DO NOT SCALE DRAWING	
.0 ± 0.2	±				
.00 ± 0.1	±				
.000 ± 0.05	±				
ANGLES ± 5°		MATERIAL : <b>ABS</b>		SIZE	REV
THIRD ANGLE PROJECTION		QTY : FINISH:		<b>A4</b>	REV2
		SCALE : 1:1		SHEET 1 OF 1	