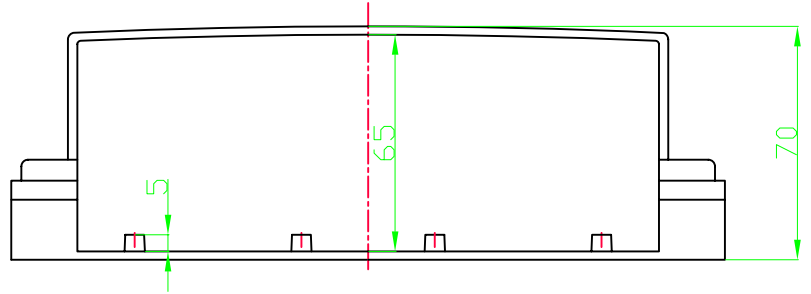
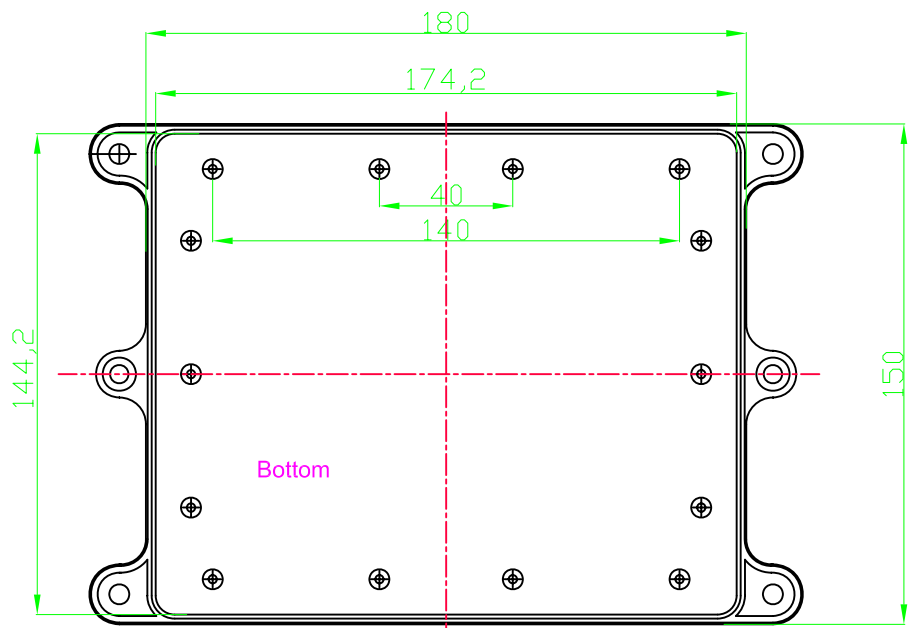
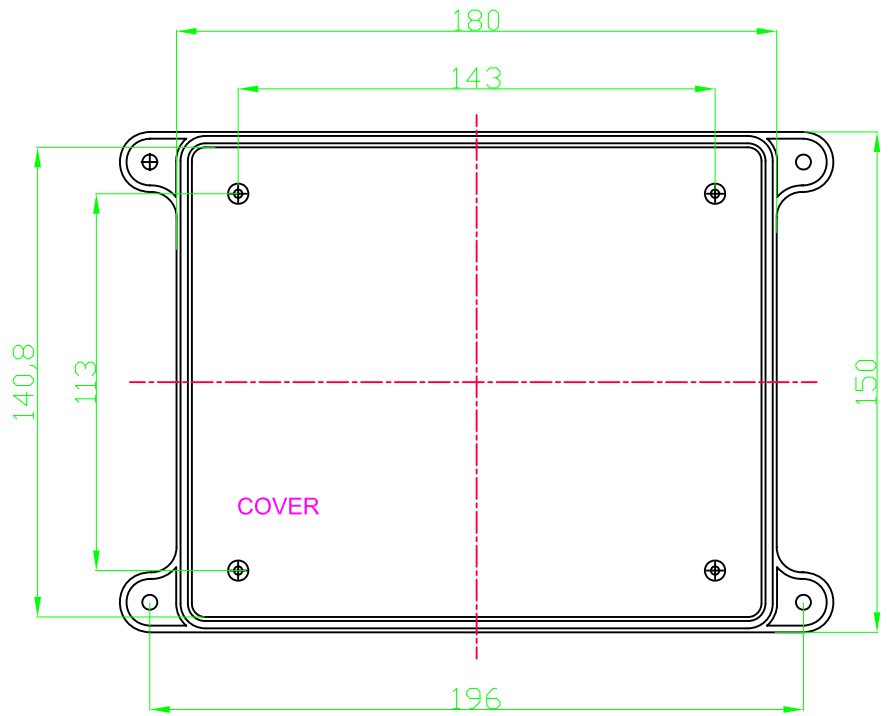


	CHKD



← (mm) →		CHKD zhongjioe	DATE 01/12/08	<b>CHINA ENCLOSURE</b> 赛诺模具壳体 WWW.CHINA-ENCLOSURE.COM	
TOLERANCES EXCEPT AS NOTED		MFD SUNNY	DATE 01/16/08		
DETACHED LISTS	MM	±	APPVL	DATE	TITLE <b>CN682</b>
	.0 ± 0.2	±	MATERIAL : <b>ABS</b>		
	.00 ± 0.1	±	QT'Y :		DRAWING NO.
	.000 ± 0.05	±	ANGLES ± 5°		/PART NO.
THIRD ANGLE PROJECTION		FINISH:		DRAWING NO.	
		SCALE : 1:1		DO NOT SCALE DRAWING	
				SIZE <b>A4</b>	REV <b>REV2</b>
				SHEET <b>1</b>	OF <b>1</b>