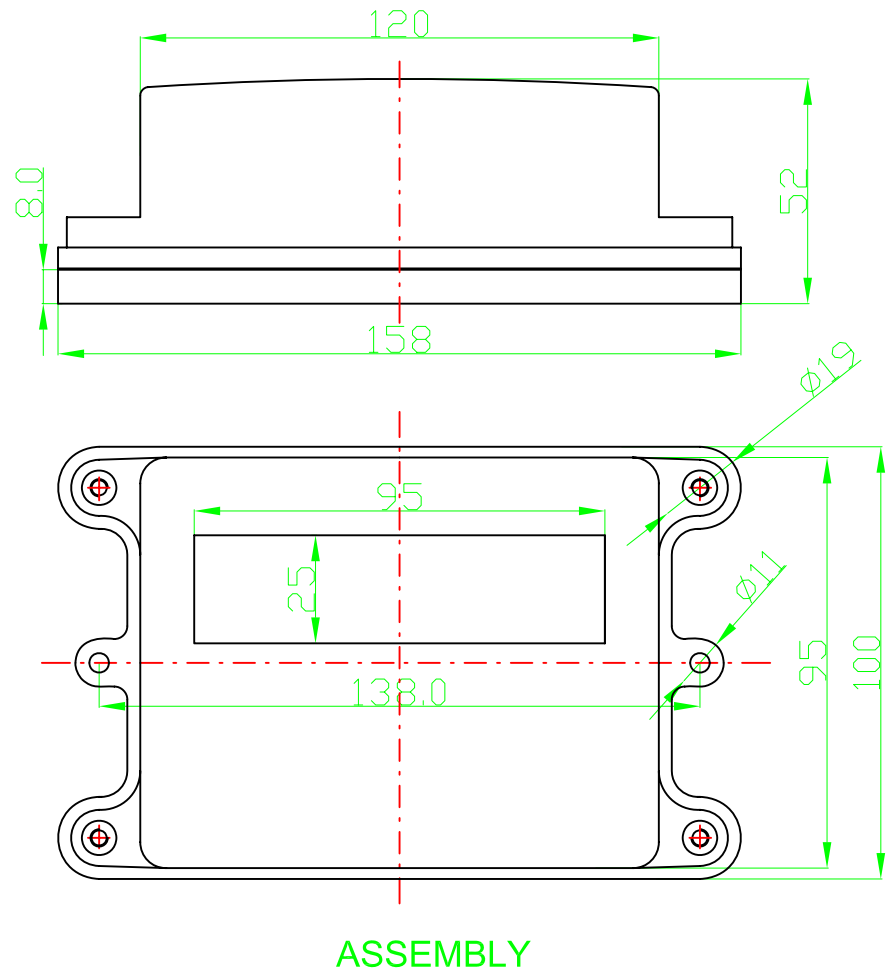
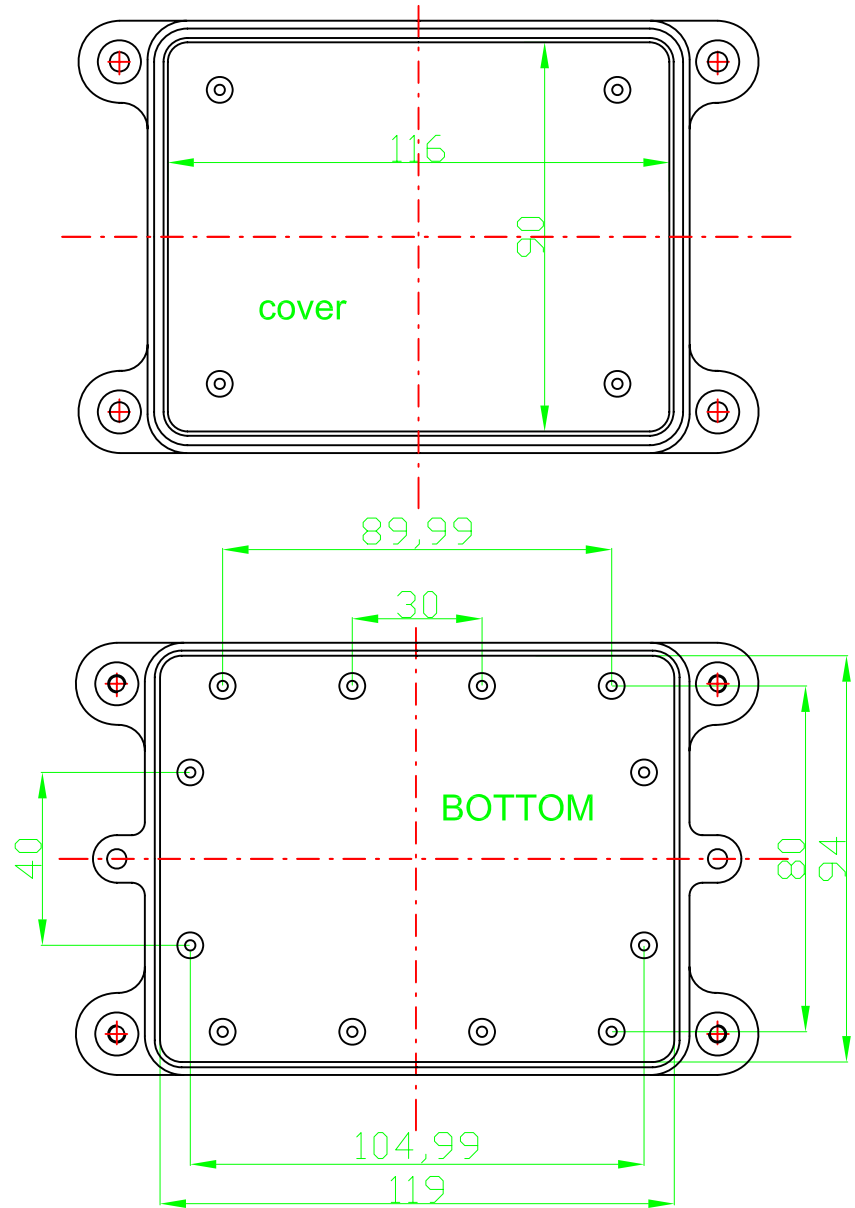


REVISION RECORD				
REV	ECD	DESCRIPTION	DRFT	CHKD



DETACHED LISTS	← MM (INCH) →	DFTD: JOE, ZHONG	DATE: 04/15/08	CHINA ENCLOSURE 赛诺模具壳体 WWW.CHINA-ENCLOSURE.COM
	TOLERANCES EXCEPT AS NOTED	CHKD: LI	DATE: 04/15/08	
	MM	MFD:	DATE:	
	.0 ± 0.3	APPVL:	DATE:	
.00 ± 0.2	MATERIAL: ABS		TITLE: CN680	
.000 ± 0.1	ANGLES ± 5°		QT'Y:	
THIRD ANGLE PROJECTION	FINISH:		DRAWING NO. / PART NO.	SIZE: A4
	SCALE: 1:1		DO NOT SCALE DRAWING	REV: REV2
	SHEET X OF Y			