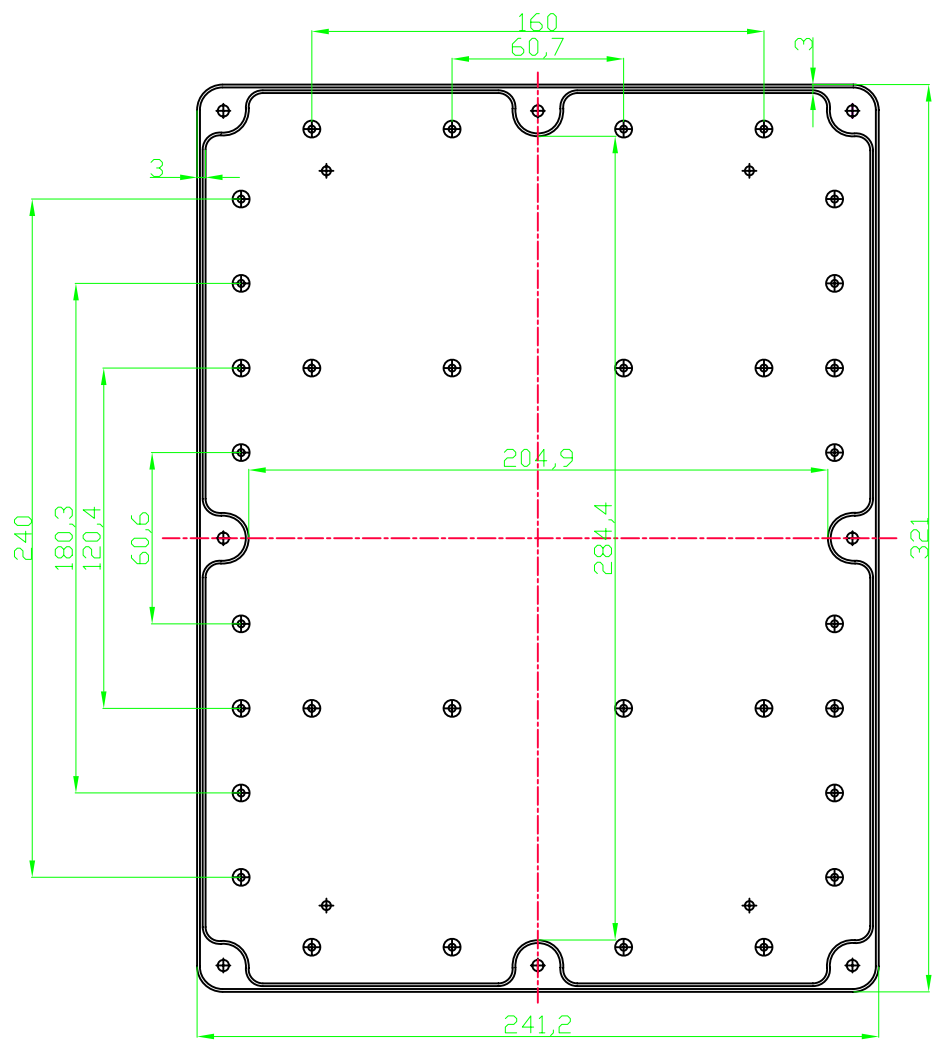
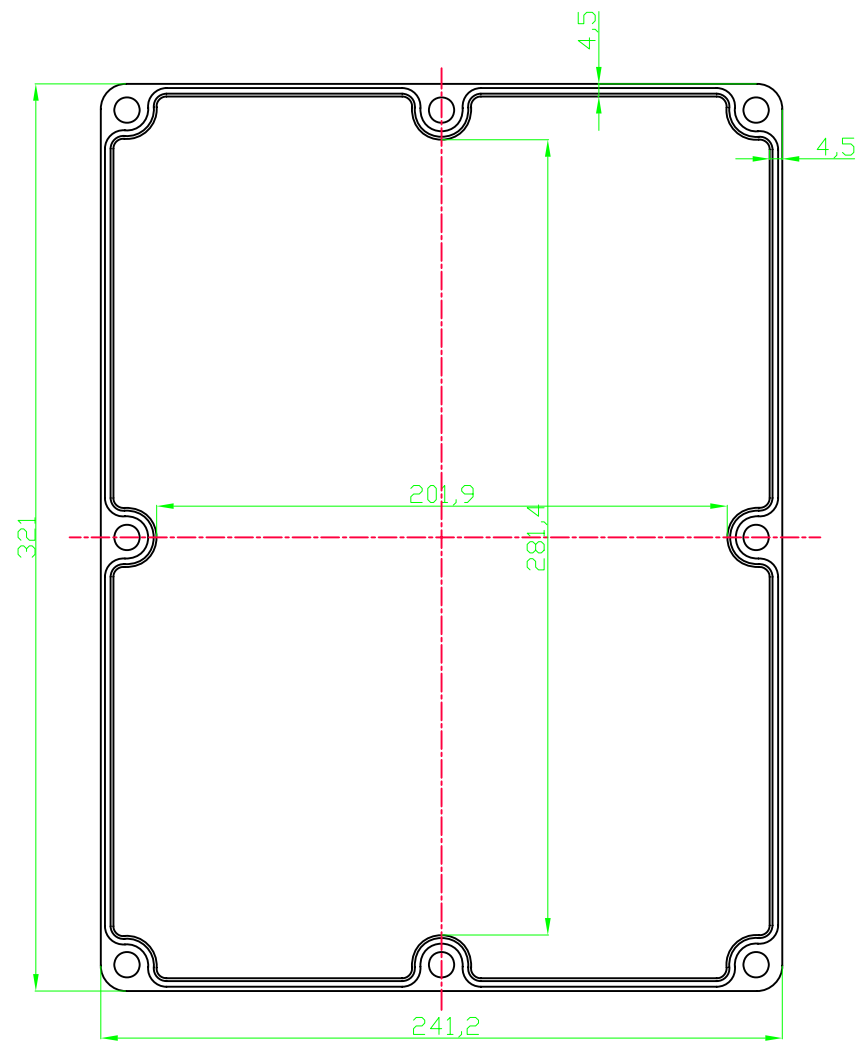


CHKD



Bottom



Cover

← (mm) →		CHKD zhongjoe	DATE 10/06/09	CHINA ENCLOSURE 赛诺模具壳体 WWW.CHINA-ENCLOSURE.COM	
TOLERANCES EXCEPT AS NOTED		MFO Mao	DATE 10/06/09		
DETACHED LISTS	MM	±	APPVL	DATE	TITLE
	.0 ± 0.2	±	MATERIAL : ABS		
	.00 ± 0.1	±	QT'Y :		DRAWING NO.
	.000 ± 0.05	±	ANGLES ± 5°		/PART NO.
 THIRD ANGLE PROJECTION		FINISH:		SCALE : 1:1	
DO NOT SCALE DRAWING			SHEET 1		OF 1