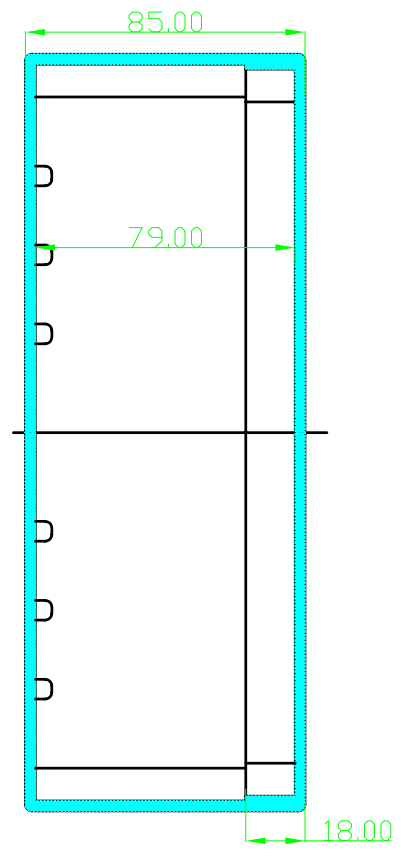
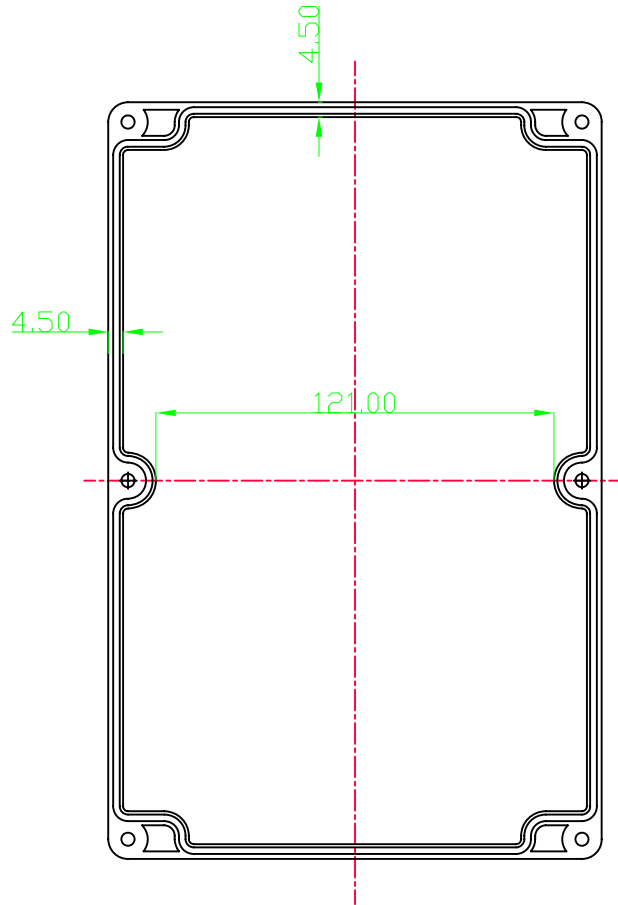
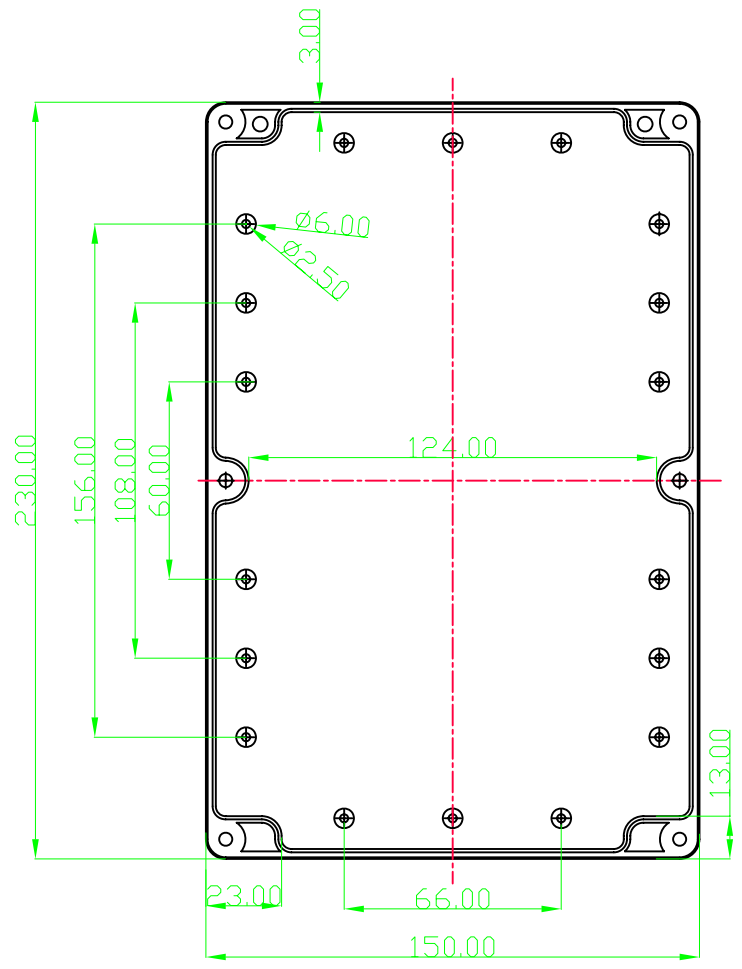


	CHKD



(mm)		CHKD zhangjue	DATE 01/12/09	<b>China-enclosure CHINA ENCLOSURE</b> 赛诺模具壳体 WWW.CHINA-ENCLOSURE.COM		
TOLERANCES EXCEPT AS NOTED		MFD SUNNY	DATE 01/16/09			
DETACHED LISTS	MM		APPVL	DATE	TITLE <b>CN632</b>	
	.0 ± 0.2	±				
	.00 ± 0.1	±	MATERIAL : <b>ABS</b>			
	.000 ± 0.05	±	QT'Y :			
ANGLES ± 5°		FINISH:		DRAWING NO.	SIZE	REV
 THIRD ANGLE PROJECTION		SCALE : 1:1		/PART NO.	A4	REV2
		DO NOT SCALE DRAWING		SHEET 1 OF 1		