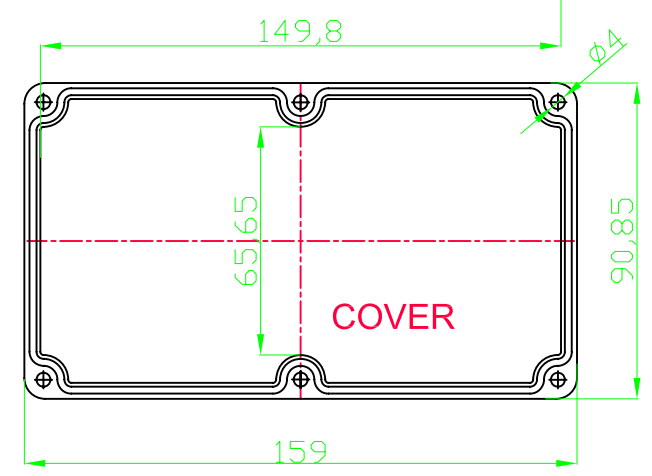
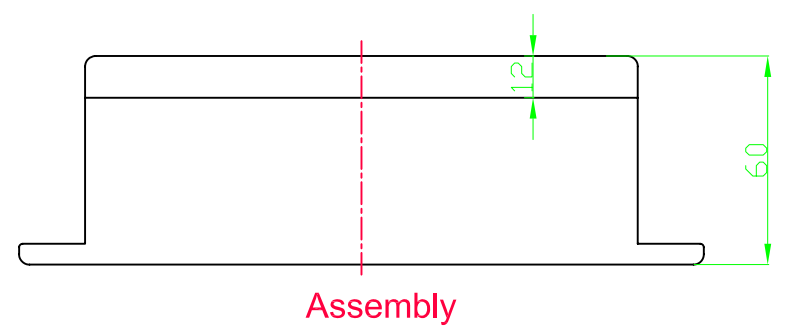
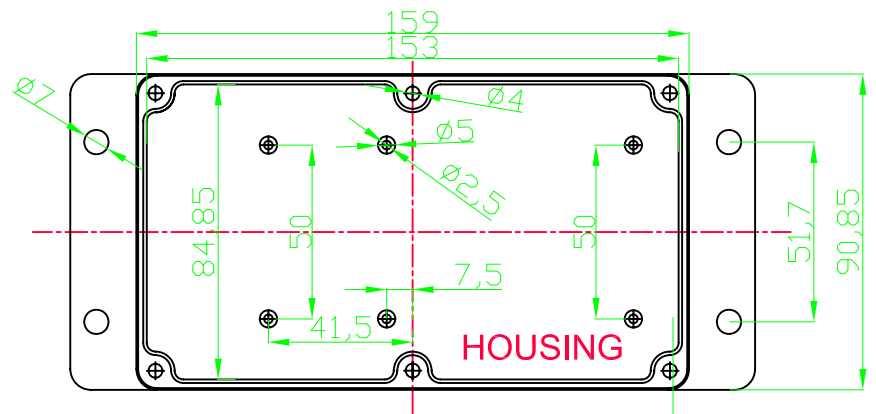


	CHKD



← (mm) →		CHKD zhongjie	DATE 01/12/09	<b>CHINA ENCLOSURE</b> 赛诺模具壳体 WWW.CHINA-ENCLOSURE.COM	
TOLERANCES EXCEPT AS NOTED		MFD SUNNY	DATE 01/16/09		
DETACHED LISTS	MM	±	APPVL	DATE	TITLE <b>CN625</b>
	.0 ± 0.2	±			
	.00 ± 0.1	±	MATERIAL : <b>ABS</b>		
	.000 ± 0.05	±	QT'Y :		
ANGLES ± 5°		FINISH:		DRAWING NO.	
 THIRD ANGLE PROJECTION		SCALE : 1:1		/PART NO.	
		DD NOT SCALE DRAWING		SHEET 1 OF 1	
				SIZE <b>A4</b>	REV <b>REV2</b>