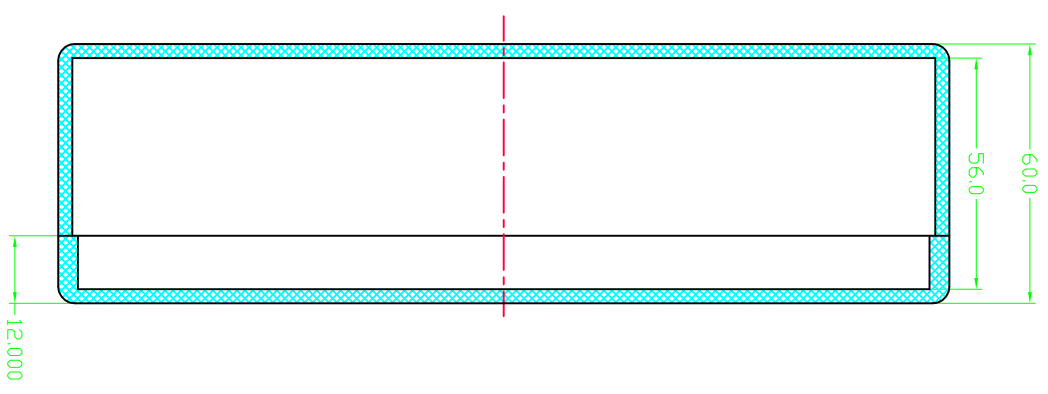
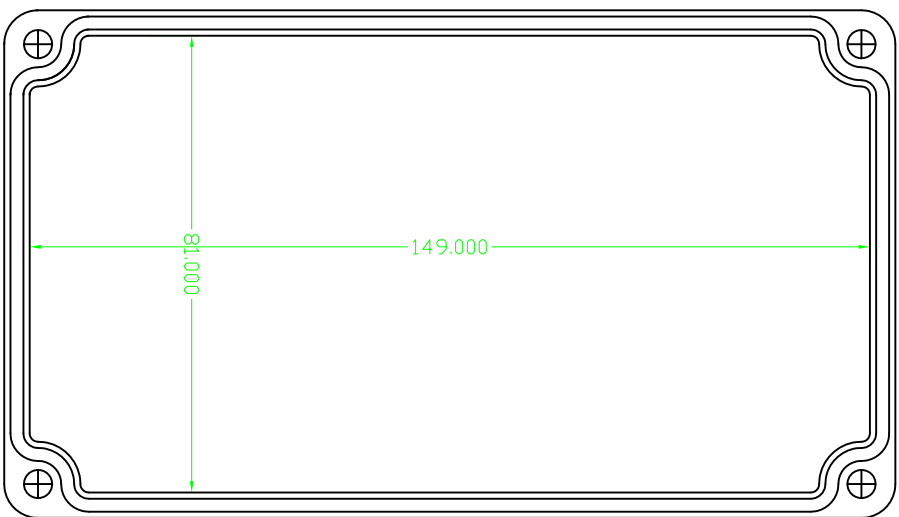
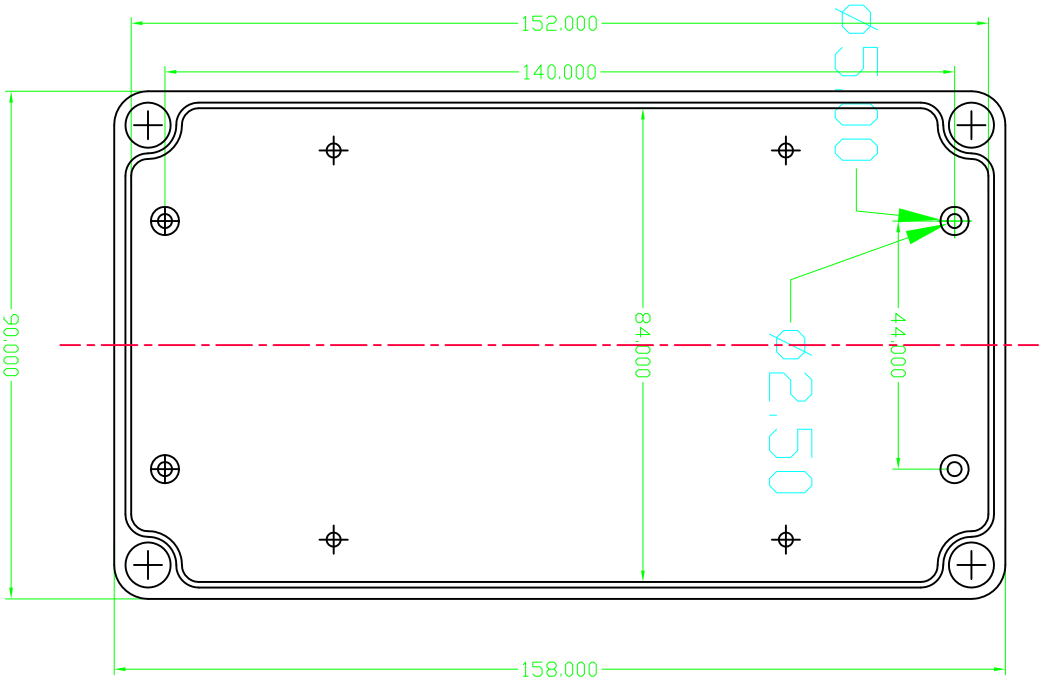


CHKD	



DETACHED LISTS		(mm)	
TOLERANCES EXCEPT AS NOTED			
MM			
0 ± 0.2	±		
0.0 ± 0.1	±		
0.00 ± 0.05	±		
ANGLES ± 5°			
THIRD ANGLE PROJECTION			
CHKD	shengjie	DATE	01/12/09
MFD	SUNNY	DATE	01/18/09
APPL		DATE	
MATERIAL: ABS			
QTY: 1			
FINISH:			
SCALE: 1:1			
DRAWING NO.		SIZE	
/PART NO.		A4	
		REV	
		REV2	
SHEET 1		OF 1	

China -enclosure
赛诺模具壳体
CHINA ENCLOSURE
 WWW.CHINA-ENCLOSURE.COM

TITLE
CN623