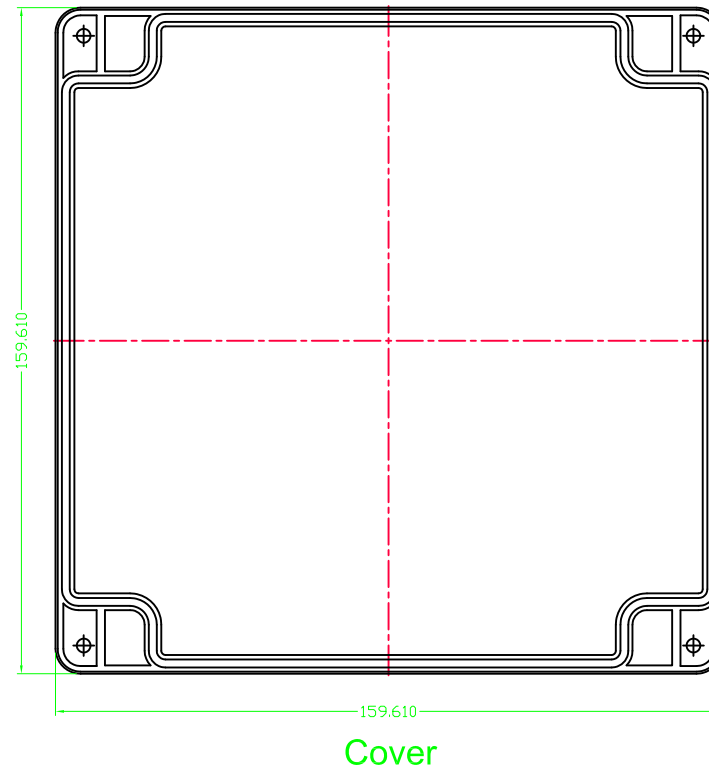
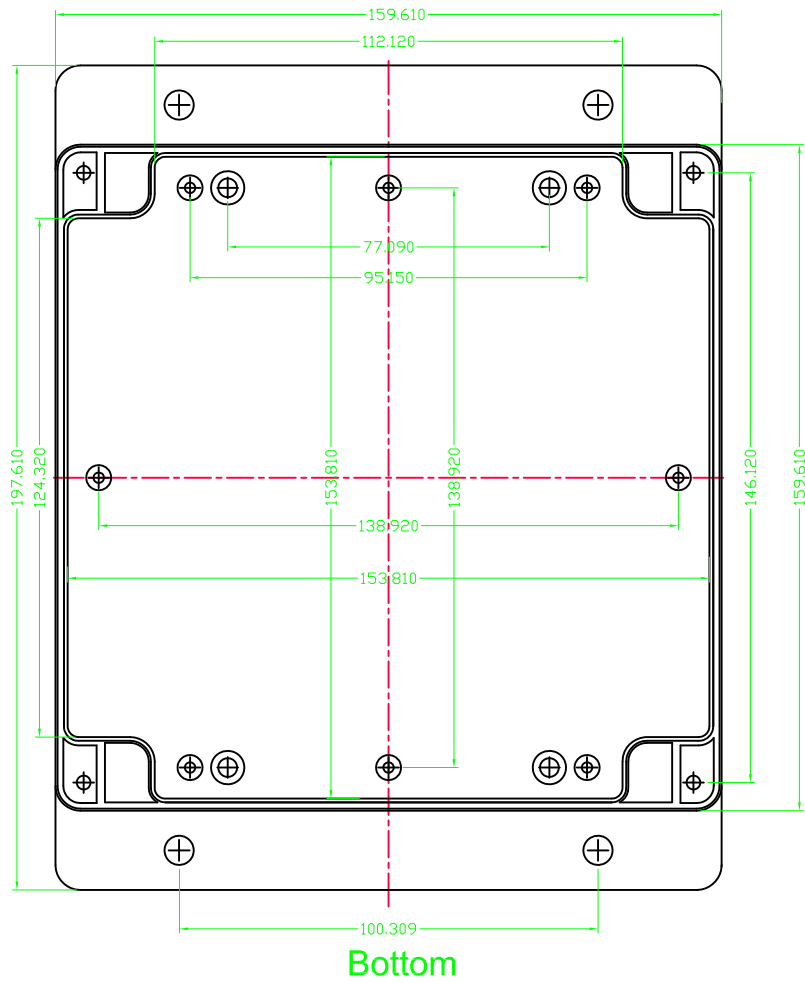


CHKD



← (mm) →		CHKD zhongjioe	DATE 01/22/01	CHINA ENCLOSURE 赛诺模具壳体 WWW.CHINA-ENCLOSURE.COM
TOLERANCES EXCEPT AS NOTED		MFD Li	DATE 01/28/01	
MM	±	APPVL	DATE	TITLE CN622
.0 ± 0.2	±	MATERIAL : ABS		
.00 ± 0.1	±	QT'Y :		DRAWING NO.
.000 ± 0.05	±	ANGLES ± 5°		/PART NO.
 THIRD ANGLE PROJECTION		FINISH:		SIZE A4
		SCALE : 1:1		REV REV2
DO NOT SCALE DRAWING			SHEET 1	OF 1