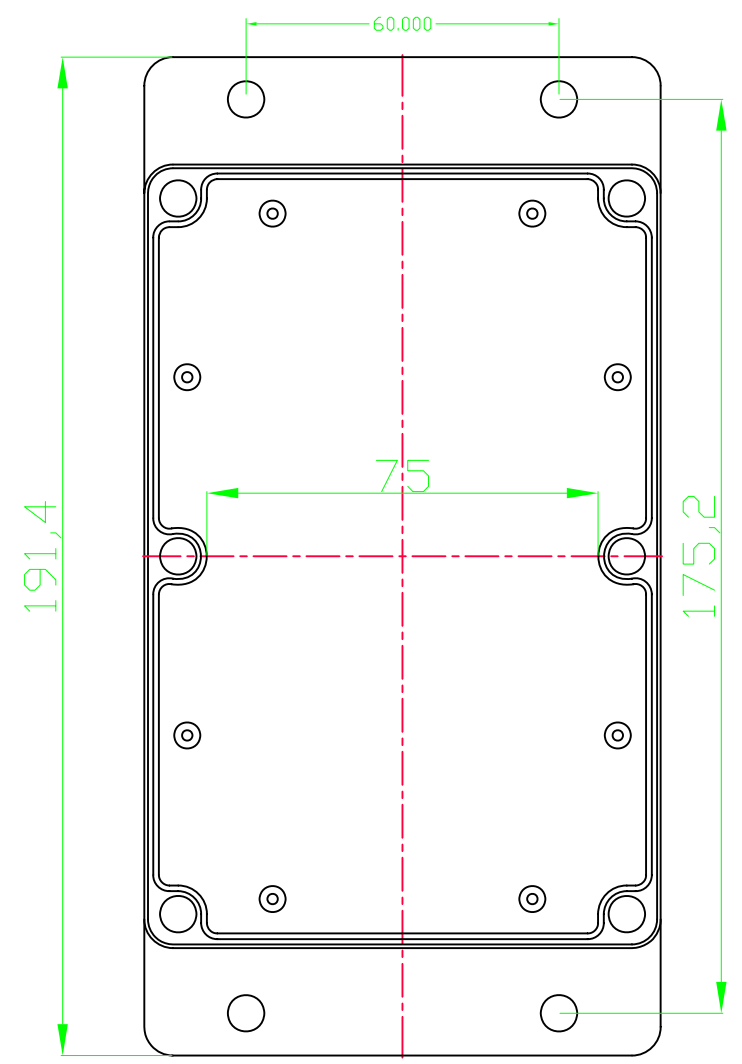
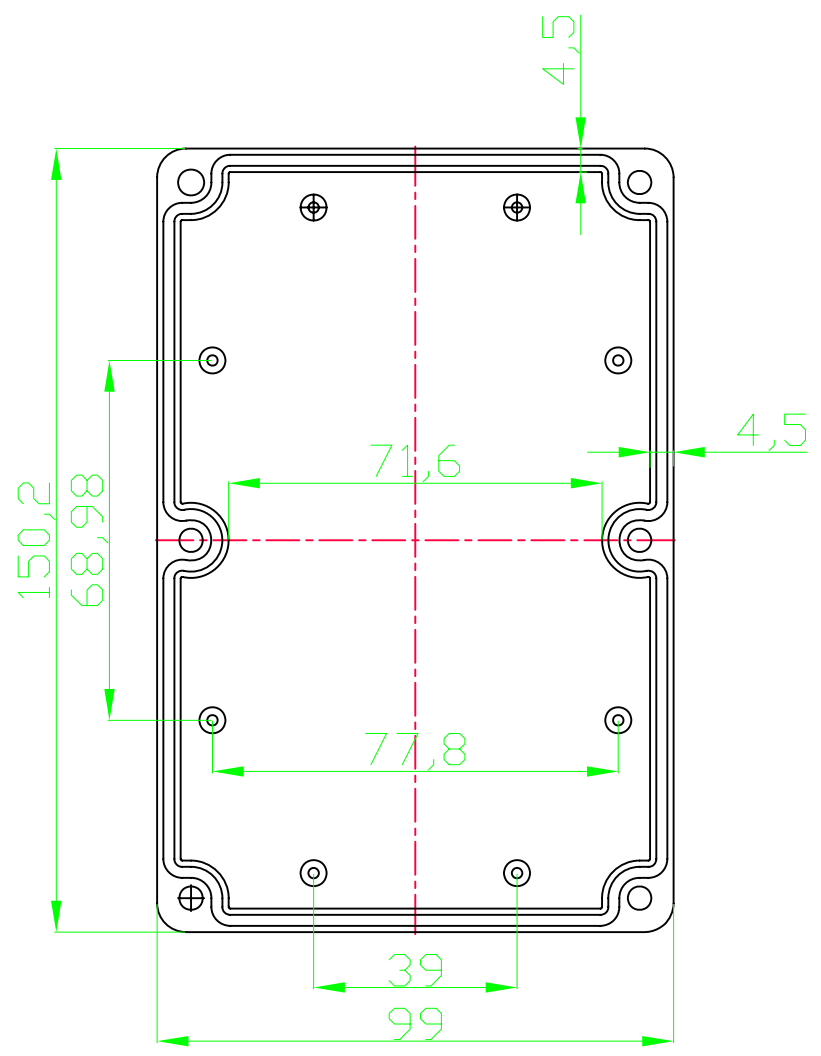


CHKD



← (mm) →		CHKD zhongjib	DATE 01/22/01	CHINA ENCLOSURE WWW.CHINA-ENCLOSURE.COM
TOLERANCES EXCEPT AS NOTED		MFD Li	DATE 01/28/01	
MM		APPVL	DATE	TITLE
.0 ± 0.2	±	MATERIAL : ABS		CN616
.00 ± 0.1	±	QT'Y :		DRAWING NO.
.000 ± 0.05	±	FINISH:		/PART NO.
ANGLES ± 5°		SCALE : 1:1		DO NOT SCALE DRAWING
 THIRD ANGLE PROJECTION		SHEET 1		REV REV2
		OF 1		