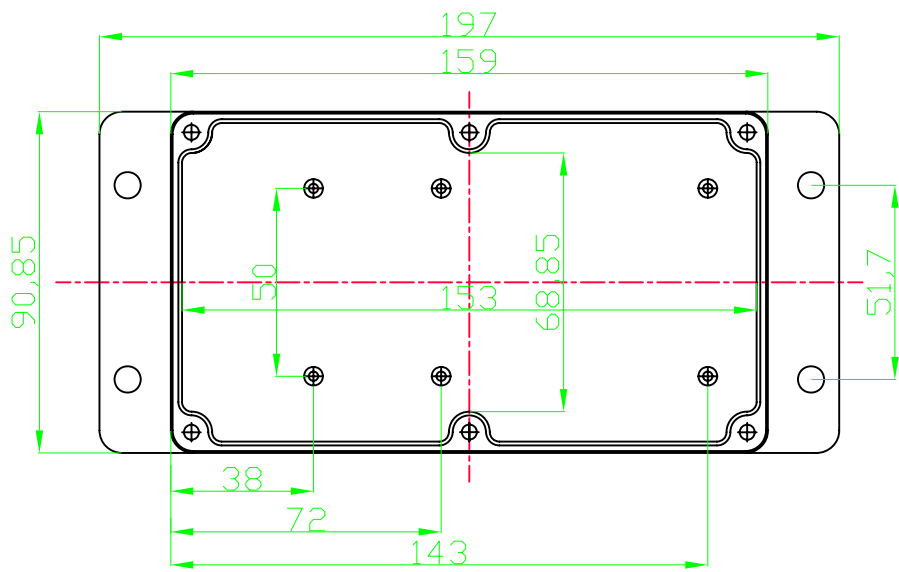


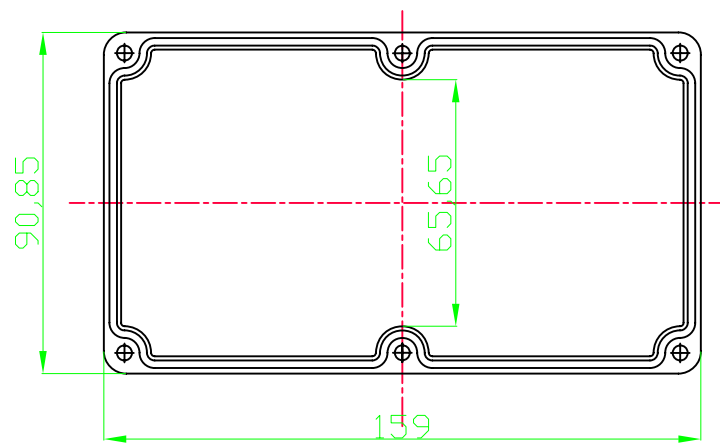
|  |      |
|--|------|
|  | CHKD |
|  |      |



Housing



Assembly



COVER

|                            |   |                       |                |  |
|----------------------------|---|-----------------------|----------------|--|
| ← (mm) →                   |   | CHKD zhangjib         | DATE 01/22/01  | <b>China-enclosure</b><br><b>赛诺模具壳体</b> CHINA ENCLOSURE<br>WWW.CHINA-ENCLOSURE.COM |
| TOLERANCES EXCEPT AS NOTED |   | MFD Li                | DATE 01/28/01  |  |
| MM                         |   | APPVL                 | DATE           | TITLE<br><b>CN615</b>  |
| .0 ± 0.2                   | ± | MATERIAL : <b>ABS</b> |                |  |
| .00 ± 0.1                  | ± | QT'Y :                |                | DRAWING NO.  |
| .000 ± 0.05                | ± | ANGLES ± 5°           |                | /PART NO.  |
|                            |   | FINISH:               |                | SIZE <b>A4</b>   |
| THIRD ANGLE PROJECTION     |   | SCALE : 1:1           |                | REV <b>REV2</b>  |
| DO NOT SCALE DRAWING       |   |                       | SHEET <b>1</b> | OF <b>1</b>  |