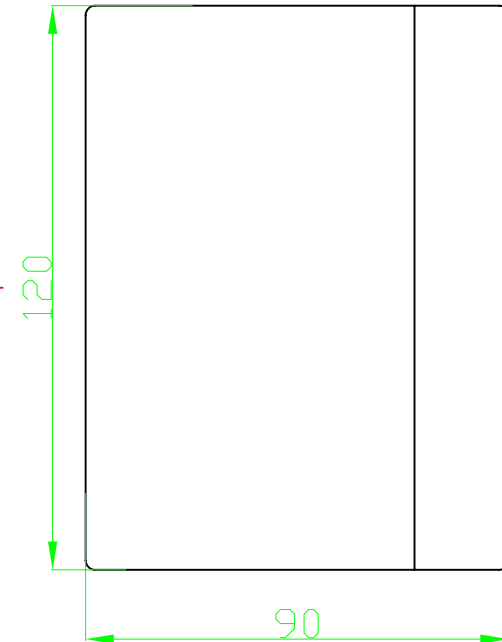
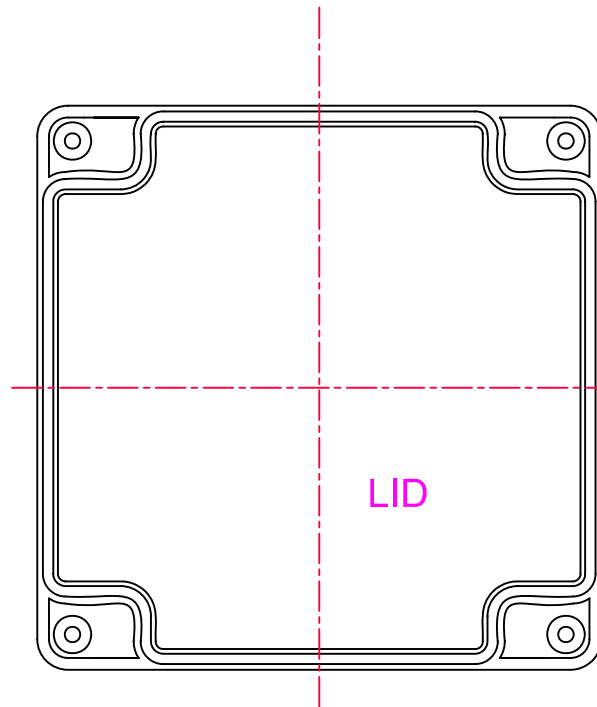
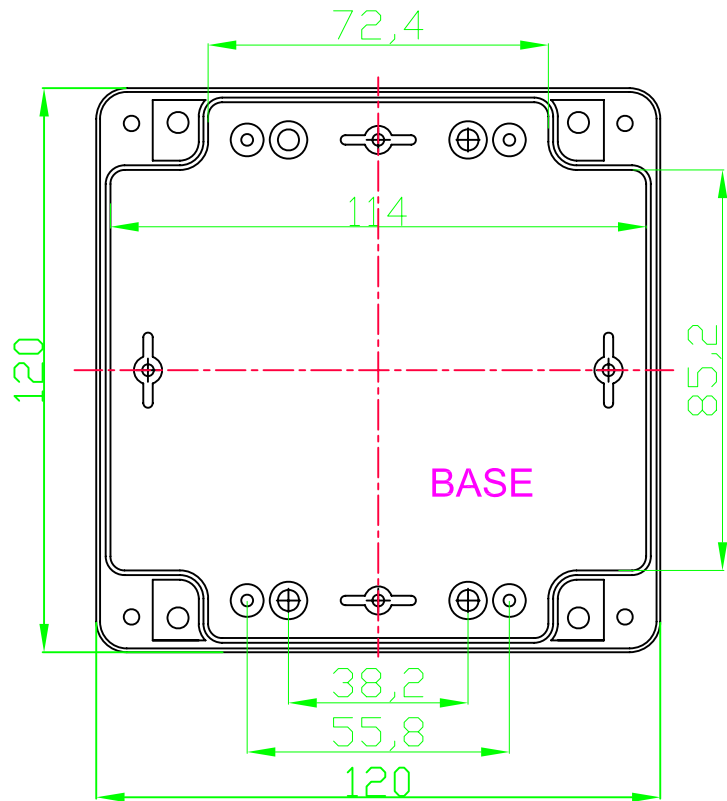



	CHKD



ASSEMBLY

← (mm) →		CHKD zhongjioe	DATE 01/12/09	 CHINA ENCLOSURE 赛诺模具壳体 WWW.CHINA-ENCLOSURE.COM	
TOLERANCES EXCEPT AS NOTED		MFO Mao	DATE 01/16/09		
DETACHED LISTS	MM	±	APPVL	DATE	TITLE
	.0 ± 0.2	±	MATERIAL : PC		
	.00 ± 0.1	±	QT'Y :		DRAWING NO.
	.000 ± 0.05	±	ANGLES ± 5°		/PART NO.
THIRD ANGLE PROJECTION		FINISH:		SCALE : 1:1	SIZE A4
		DO NOT SCALE DRAWING		SHEET 1	REV REV2
				OF 1	