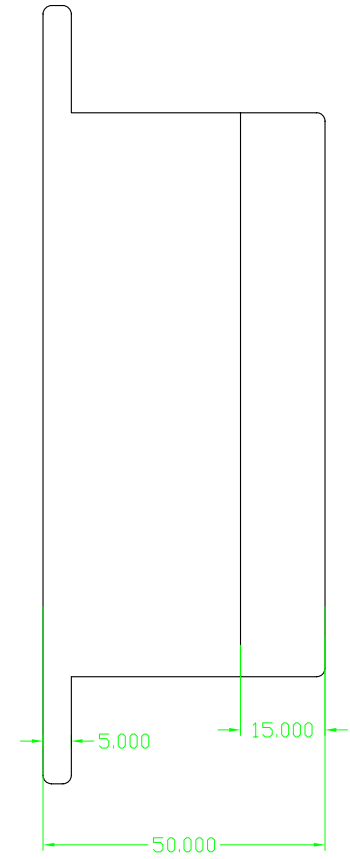
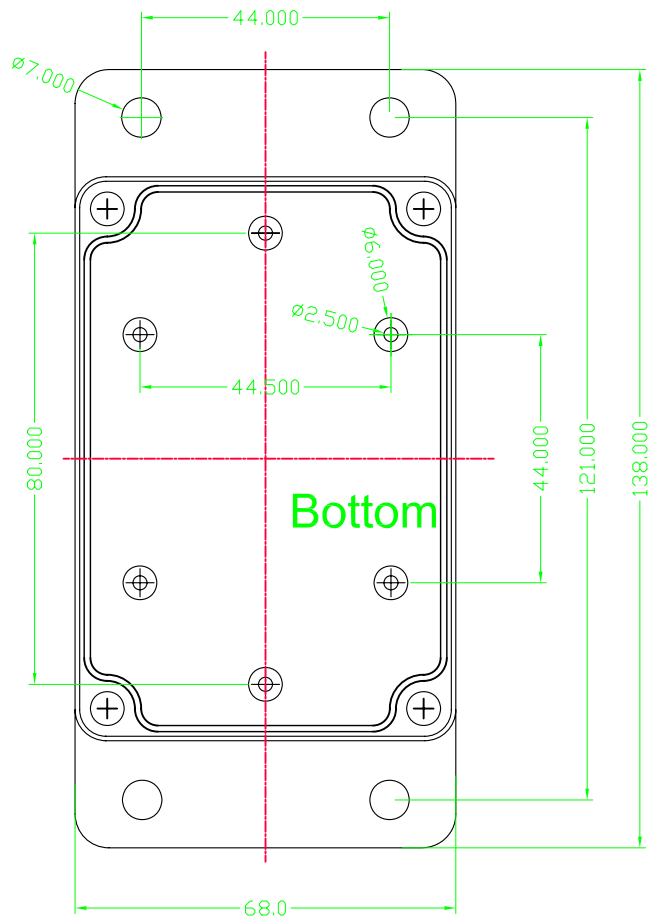
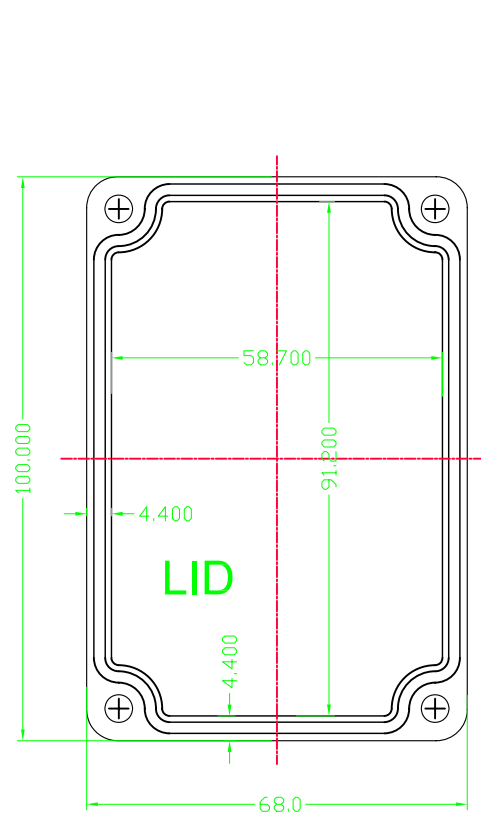
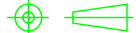


	CHKD



Assembly

← (mm) →		CHKD zhongjie	DATE 01/12/09	China-enclosure CHINA ENCLOSURE 赛诺模具壳体 WWW.CHINA-ENCLOSURE.COM	
TOLERANCES EXCEPT AS NOTED		MFD SUNNY	DATE 01/16/09		
DETACHED LISTS	MM	±	APPVL	DATE	TITLE CN608
	.0 ± 0.2	±			
	.00 ± 0.1	±	MATERIAL : ABS		
	.000 ± 0.05	±	QT'Y :		
ANGLES ± 5°		FINISH:		DRAWING NO.	SIZE A4
 THIRD ANGLE PROJECTION		SCALE : 1:1		/PART NO.	REV REV2
		DO NOT SCALE DRAWING		SHEET 1 OF 1	