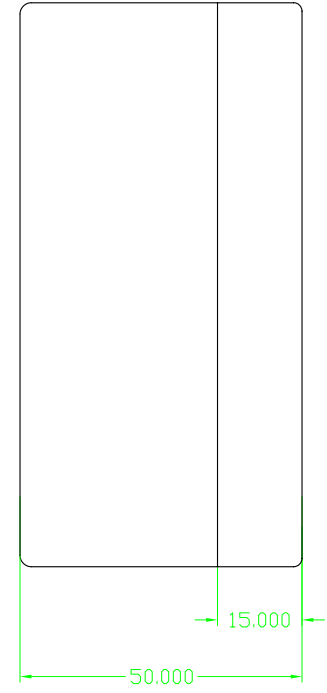
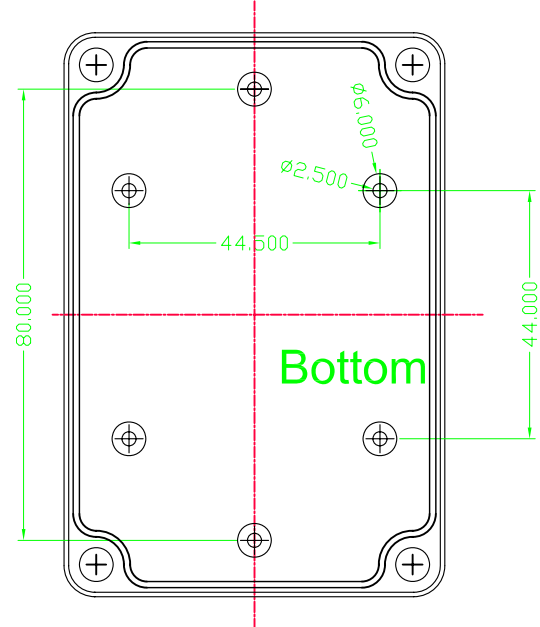
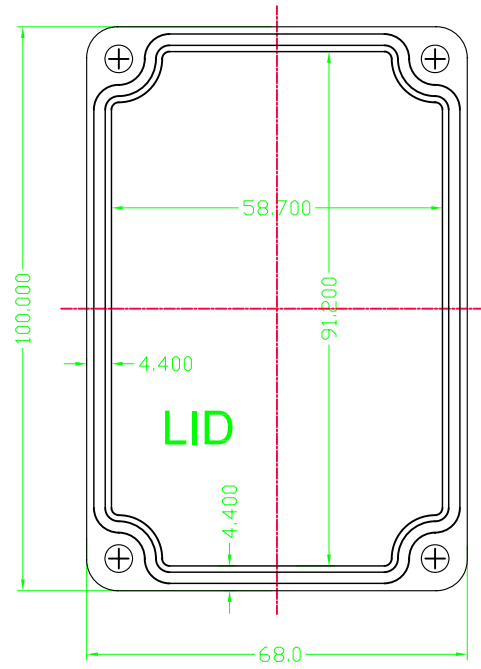


	CHKD



Assembly

← (mm) →		CHKD zhongjioe	DATE 01/12/09	<b>CHINA ENCLOSURE</b> 赛诺模具壳体 WWW.CHINA-ENCLOSURE.COM		
TOLERANCES EXCEPT AS NOTED		MFD SUNNY	DATE 01/16/09			
DETACHED LISTS	MM		APPVL	DATE	TITLE <b>CN606</b>	
	.0 ± 0.2	±				
	.00 ± 0.1	±	MATERIAL :	ABS		
	.000 ± 0.05	±	ANGLES ± 5°	QT'Y :		
 THIRD ANGLE PROJECTION		FINISH:	SCALE : 1:1	DRAWING NO. /PART NO.	SIZE A4	REV REV2
DO NOT SCALE DRAWING			SHEET 1	OF 1		