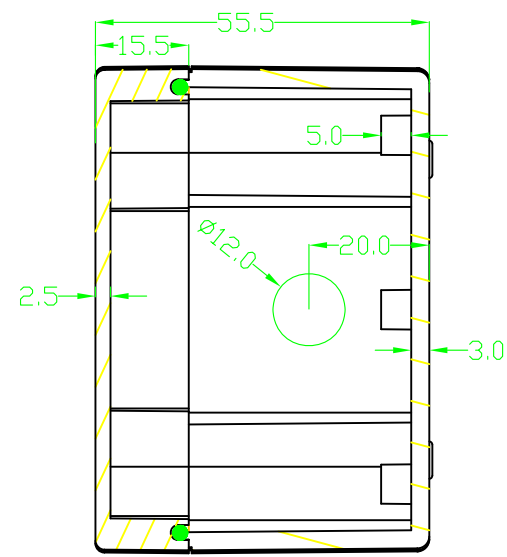
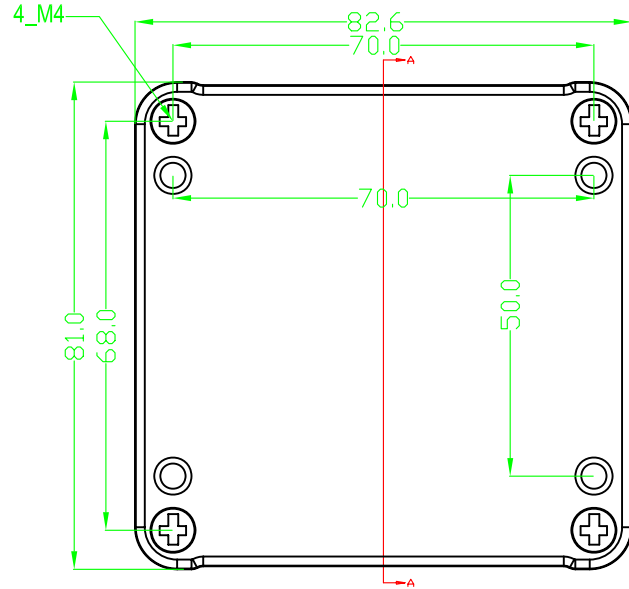
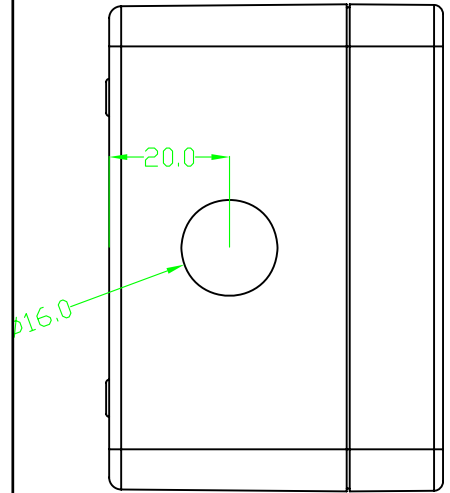
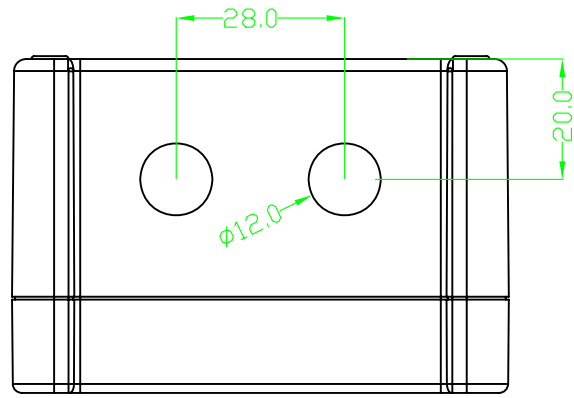
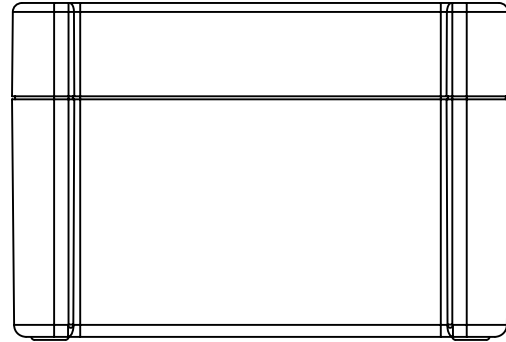
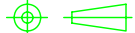


| REVISION RECORD |     |             |      |      |
|-----------------|-----|-------------|------|------|
| REV             | ECD | DESCRIPTION | DRFT | CHKD |
|                 |     |             |      |      |



SECTION A-A



|  |             |  |  |                            |             |
|--|-------------|--|--|----------------------------|-------------|
| ← MM (INCH) →<br>TOLERANCES EXCEPT AS NOTED  |             | DFTD JOE.ZHONG DATE 01/15/08'<br>CHKD SUNNY DATE 01/15/08'<br>MFD DATE<br>APPVL DATE | <b>China-enclosure CHINA ENCLOSURE</b><br>赛诺模具壳体 WWW.CHINA-ENCLOSURE.COM |                            |             |
| MM<br>.0 ± 0.3<br>.00 ± 0.2<br>.000 ± 0.1  | ±<br>±<br>± | MATERIAL : <b>ABS</b>  | TITLE<br><b>CN605</b>  |                            |             |
| ANGLES ± 5°<br> | QT'Y :      | FINISH:  | DRAWING NO. <b>CN605-00</b><br>/PART NO. <b>00</b>                       | SIZE<br><b>A4</b>          | REV<br>REV2 |
| THIRD ANGLE PROJECTION   |             | SCALE : <b>1:1</b>   | DO NOT SCALE DRAWING   | SHEET <b>X</b> OF <b>Y</b> |             |