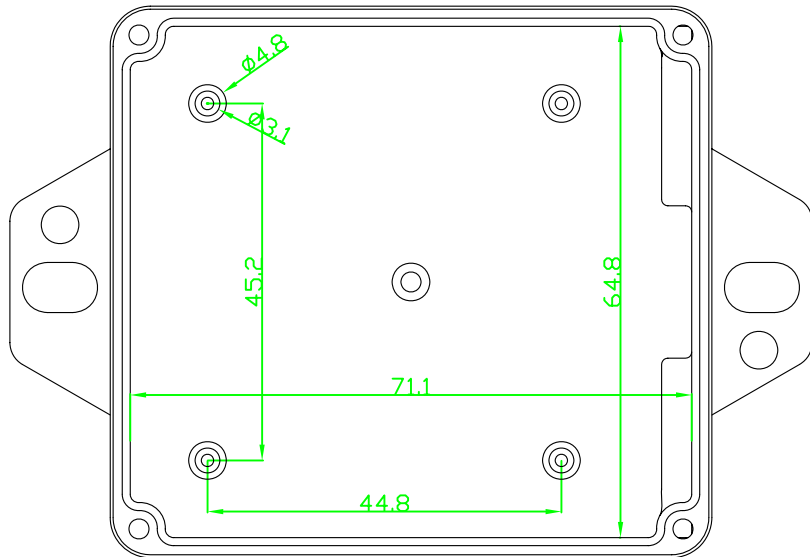
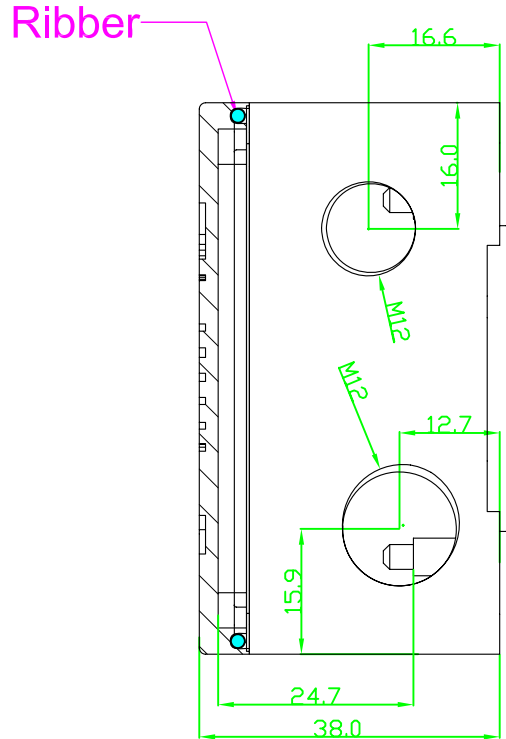
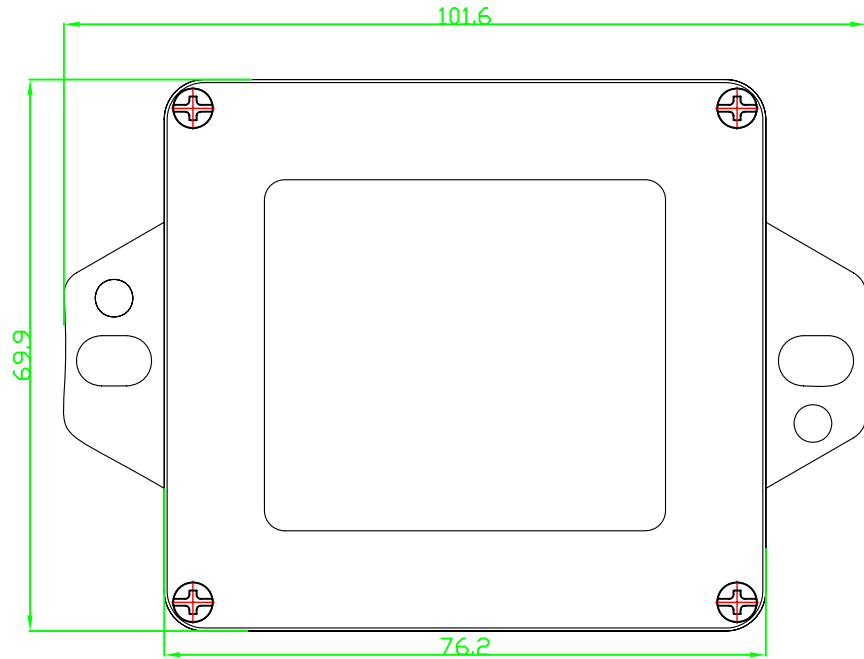


	CHKD



← (mm) →		CHKD zhangjue	DATE 01/12/09	China-enclosure CHINA ENCLOSURE 赛诺模具壳体 WWW.CHINA-ENCLOSURE.COM	
TOLERANCES EXCEPT AS NOTED		MFD SUNNY	DATE 01/16/09		
MM	±	APPVL	DATE	TITLE CN603	
.0 ± 0.2	±				
.00 ± 0.1	±	MATERIAL : ABS		DRAWING NO. /PART NO.	
.000 ± 0.05	±	QT'Y :			
ANGLES ± 5°		FINISH:		SIZE A4 REV REV2	
		SCALE : 1:1			
THIRD ANGLE PROJECTION		DO NOT SCALE DRAWING		SHEET 1 OF 1	