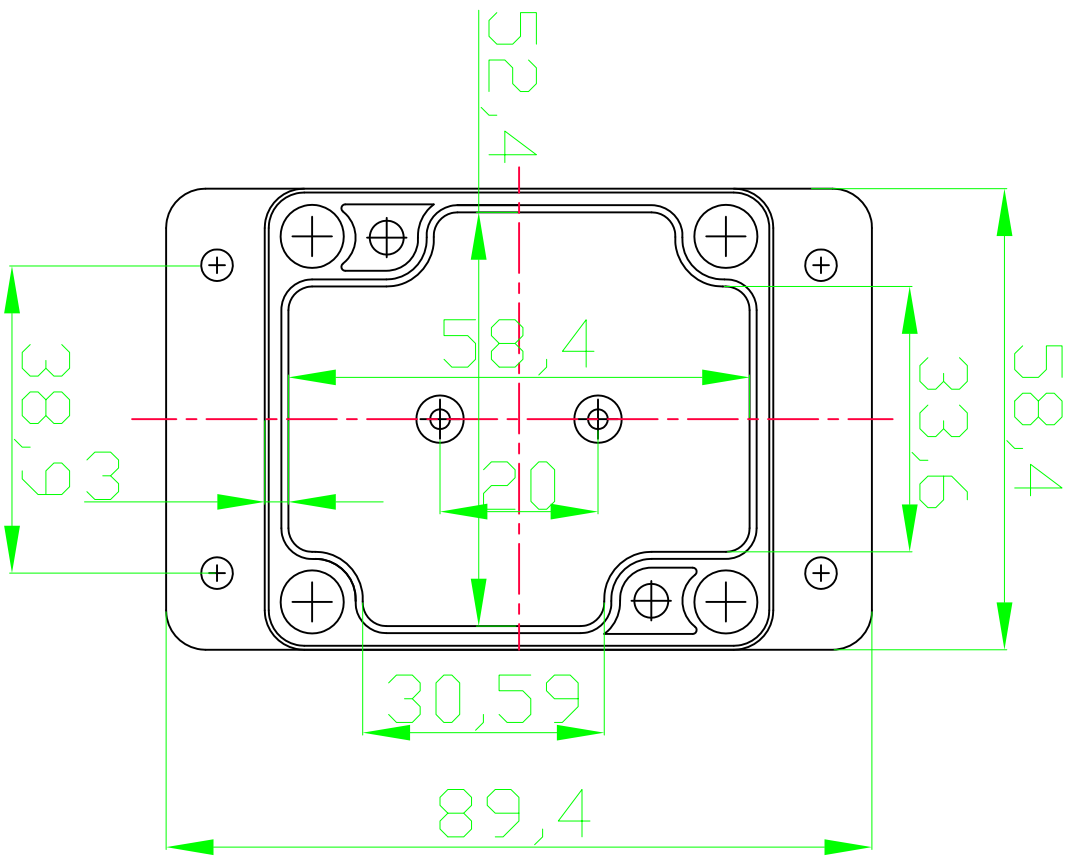
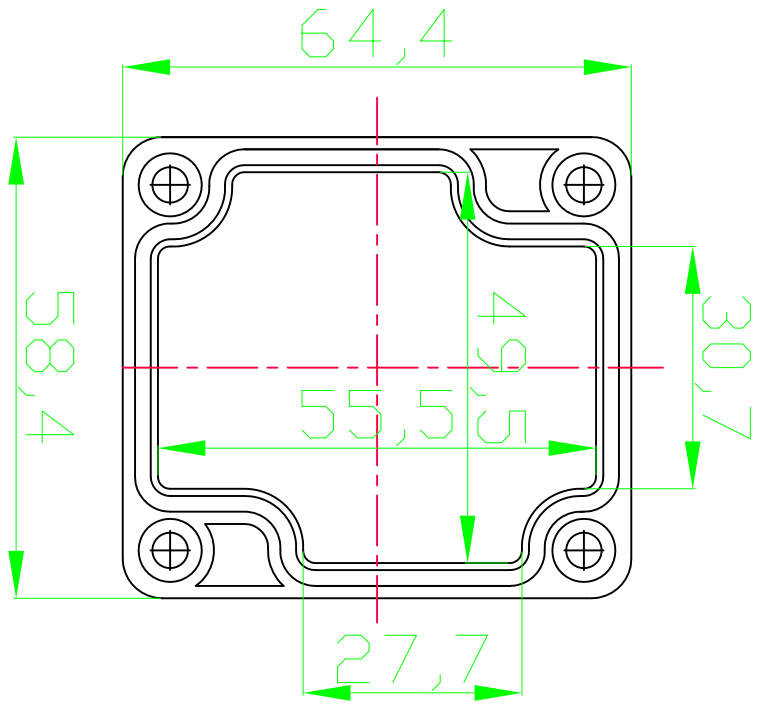


CHKD	



DETACHED LISTS		(mm)	
TOLERANCES EXCEPT AS NOTED	CHKD	Shangjie	DATE
MH	MFD	SUNNY	DATE
0 ± 0,2	APPL		DATE
0,0 ± 0,1			
0,00 ± 0,05			
ANGLES ± 5°	MATERIAL :	ABS	
THIRD ANGLE PROJECTION	QTY :		
SCALE : 1:1	FINISH :		
	DRAWING NO :	CN602	
	/PART NO :		
	DO NOT SCALE DRAWING		
	SHEET	1	OF 1

**China ENCLOSURE**  
 赛诺模具壳体  
 www.china-enclosure.com

**CN602**

SIZE  
A4  
REV  
REV2