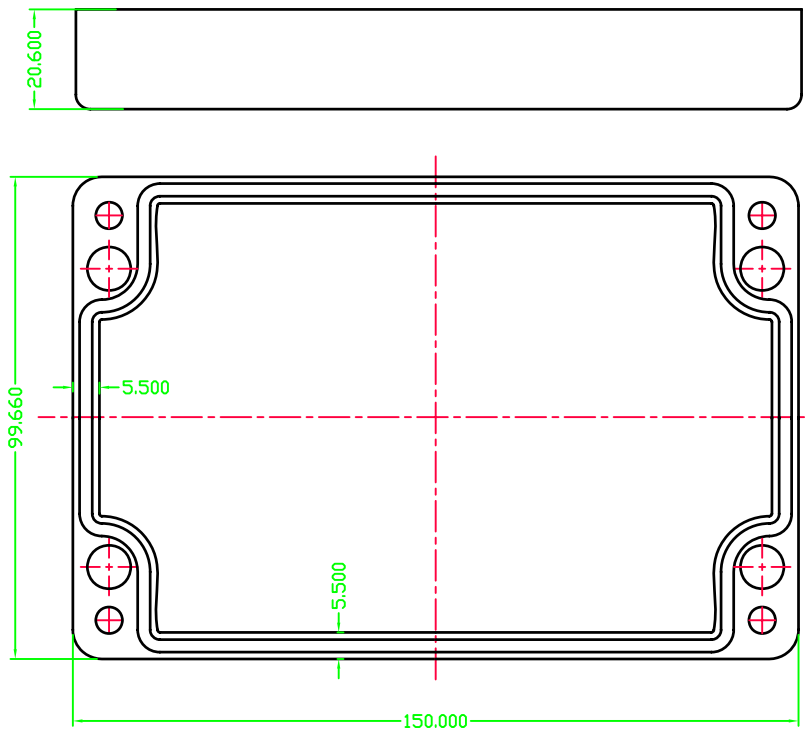
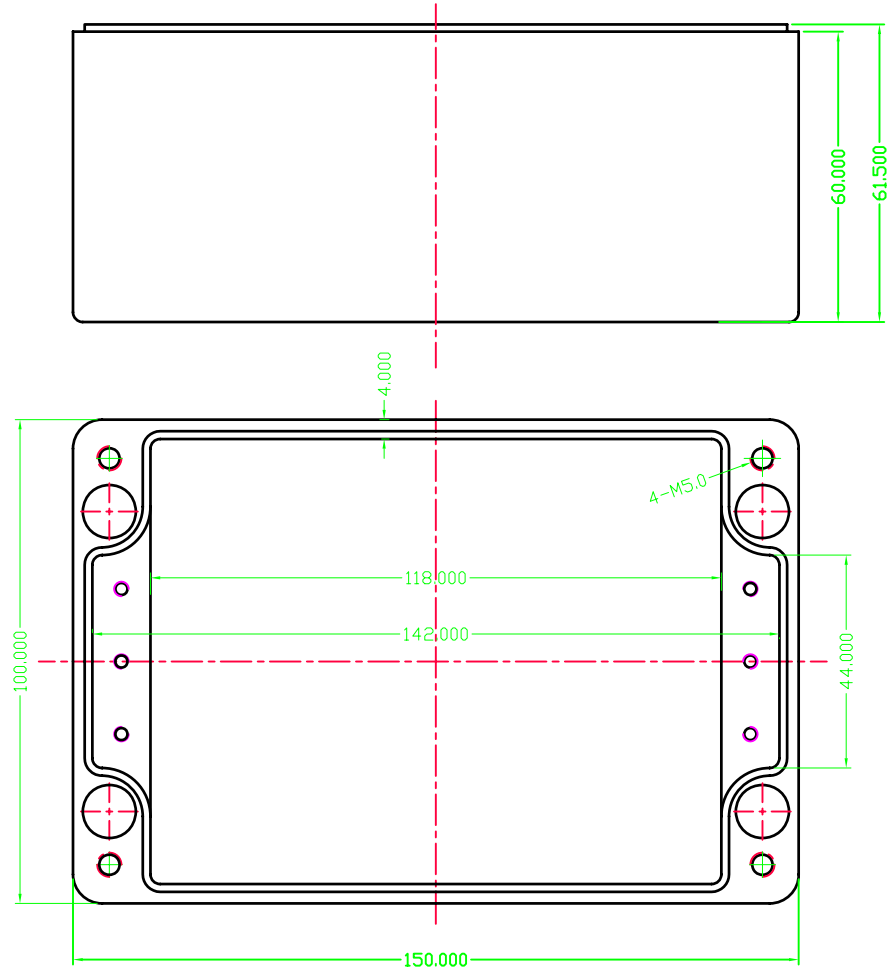


	CHKD



← (mm) →		CHKD zhongjie	DATE 01/12/09	China-enclosure CHINA ENCLOSURE 赛诺模具壳体 WWW.CHINA-ENCLOSURE.COM	
TOLERANCES EXCEPT AS NOTED		MFD SUNNY	DATE 01/16/09		
MM		APPVL	DATE	TITLE FA84	
.0 ± 0.2	±				
.00 ± 0.1	±	MATERIAL : AL		DRAWING NO. /PART NO.	
.000 ± 0.05	±	ANGLES ± 5°	QT'Y :		
THIRD ANGLE PROJECTION		FINISH:	SCALE : 1:1	DD NOT SCALE DRAWING	
			SHEET 1		OF 1