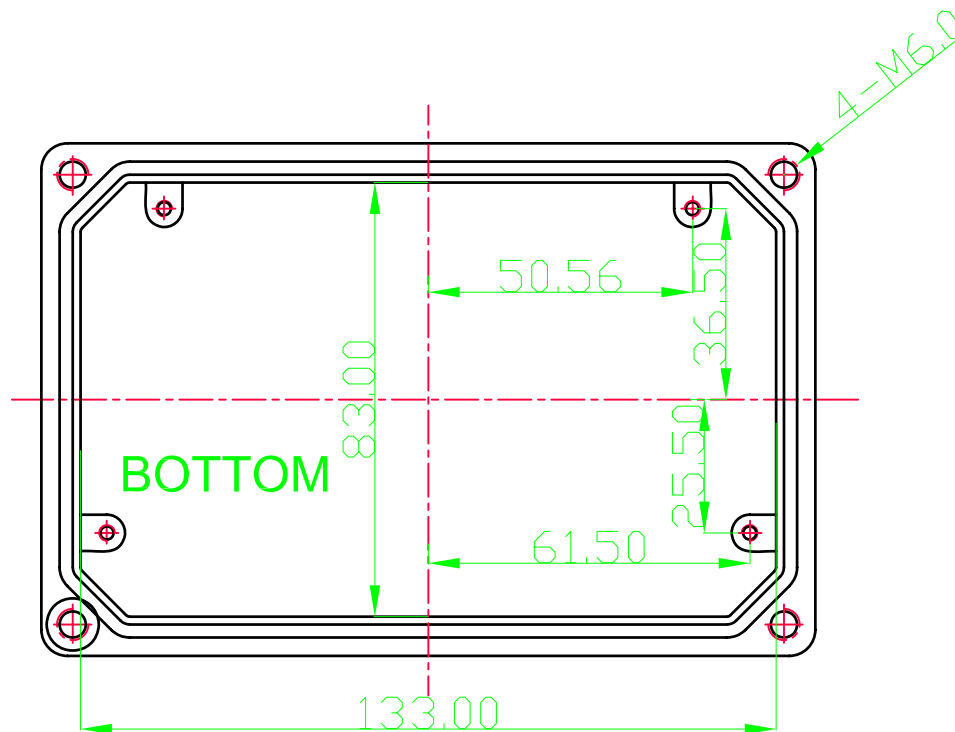
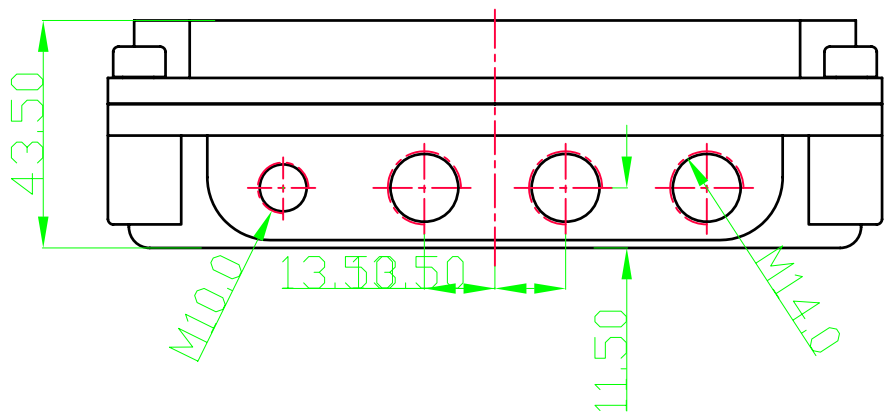
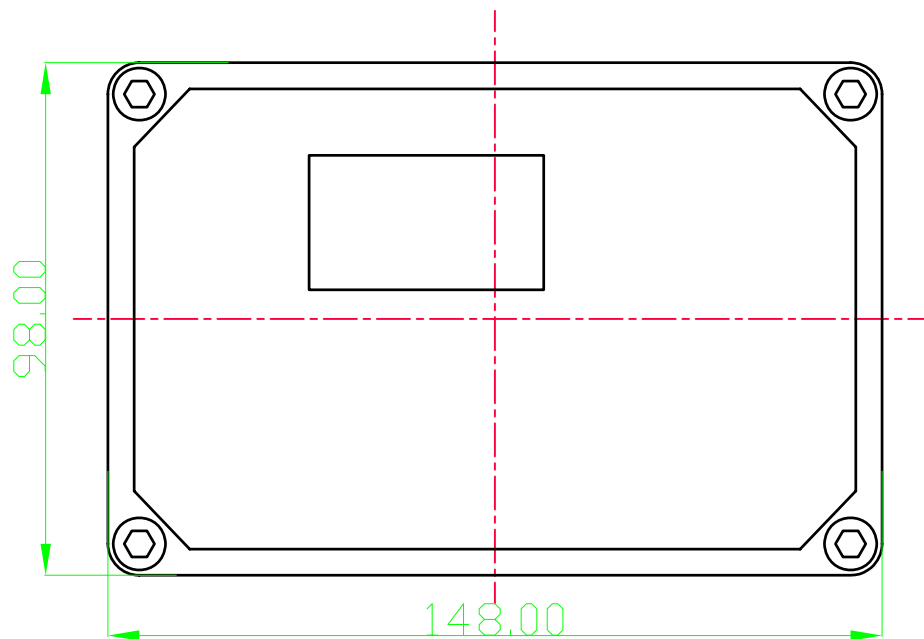


REVISION RECORD				
REV	ECD	DESCRIPTION	DRFT	CHKD



DETACHED LISTS	← MM (INCH) →		DFTD JOE.ZHON	DATE 01/15/08'	CHINA ENCLOSURE 赛诺模具壳体 WWW.CHINA-ENCLOSURE.COM
	TOLERANCES EXCEPT AS NOTED		CHKD LEO	DATE 01/15/08'	
	MM		MFD	DATE	
	APPVL		DATE		
	.0 ± 0.3	±	MATERIAL : AL		TITLE
	.00 ± 0.2	±	QT'Y :		DRAWING NO. /PART NO. 00
	.000 ± 0.1	±	FINISH:		
	ANGLES ± 5°		SCALE : 1:1		REV REV2
 THIRD ANGLE PROJECTION		DO NOT SCALE DRAWING		SHEET X OF Y	