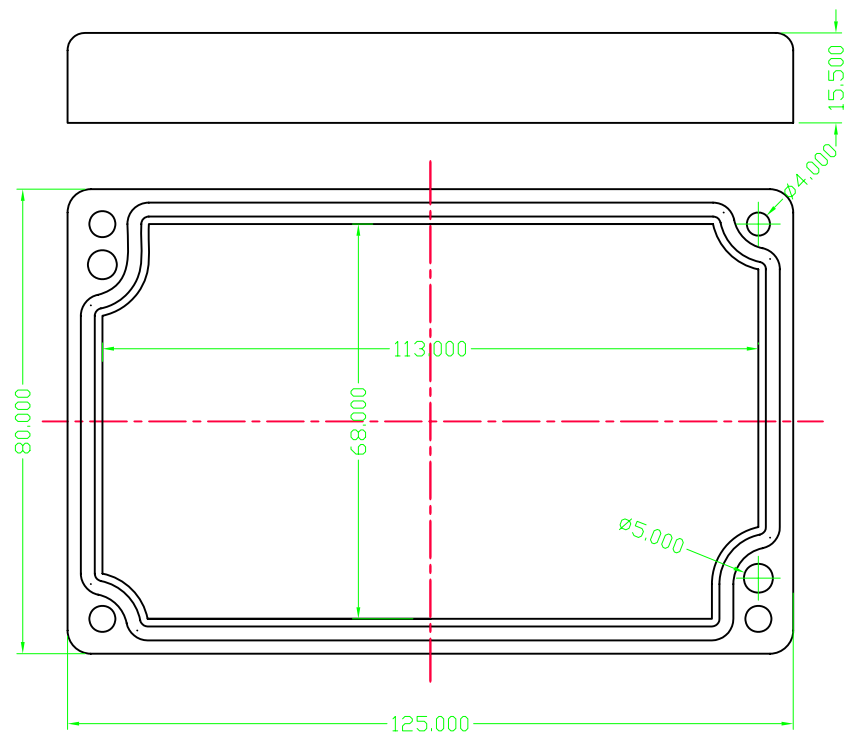
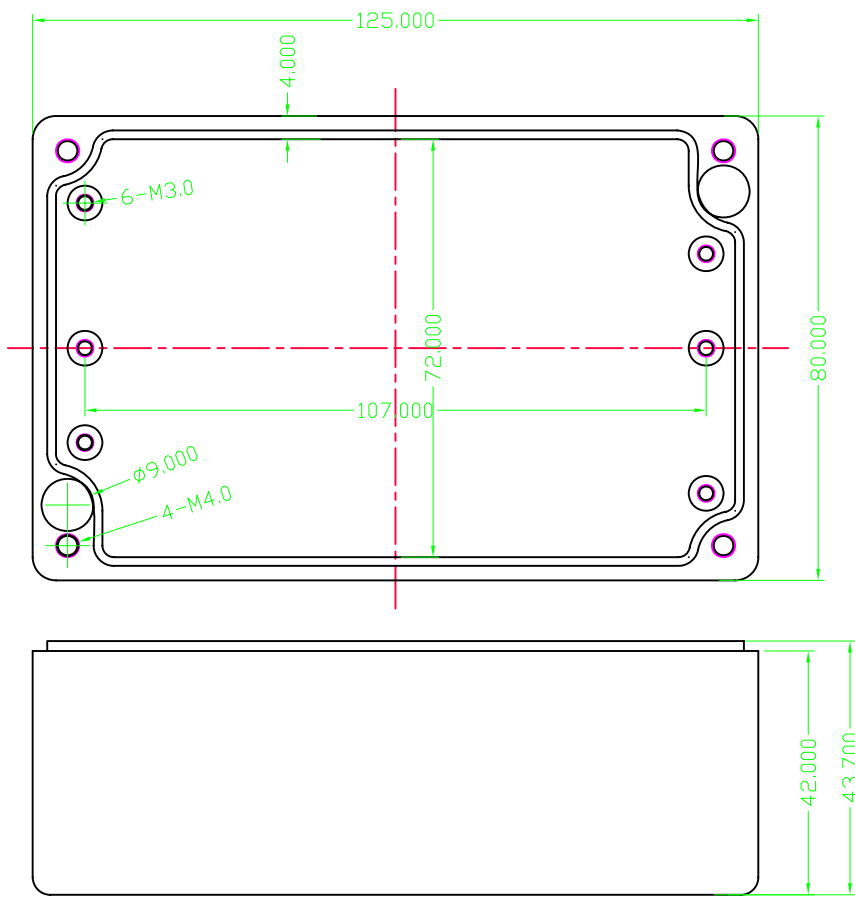


	CHKD



← (mm) →		CHKD zhongjioe	DATE 01/12/09	<b>China-enclosure</b> <b>赛诺模具壳体</b> CHINA ENCLOSURE WWW.CHINA-ENCLOSURE.COM	
TOLERANCES EXCEPT AS NOTED		MFD SUNNY	DATE 01/16/09		
MM		APPVL	DATE	TITLE <b>FA50</b>	
.0 ± 0.2	±				
.00 ± 0.1	±	MATERIAL : <b>AL</b>		DRAWING NO. /PART NO.	
.000 ± 0.05	±	QT'Y :			
ANGLES ± 5°		FINISH:		SIZE <b>A4</b> REV REV2	
		SCALE : <b>1:1</b>			
THIRD ANGLE PROJECTION		DO NOT SCALE DRAWING		SHEET <b>1</b> OF <b>1</b>	