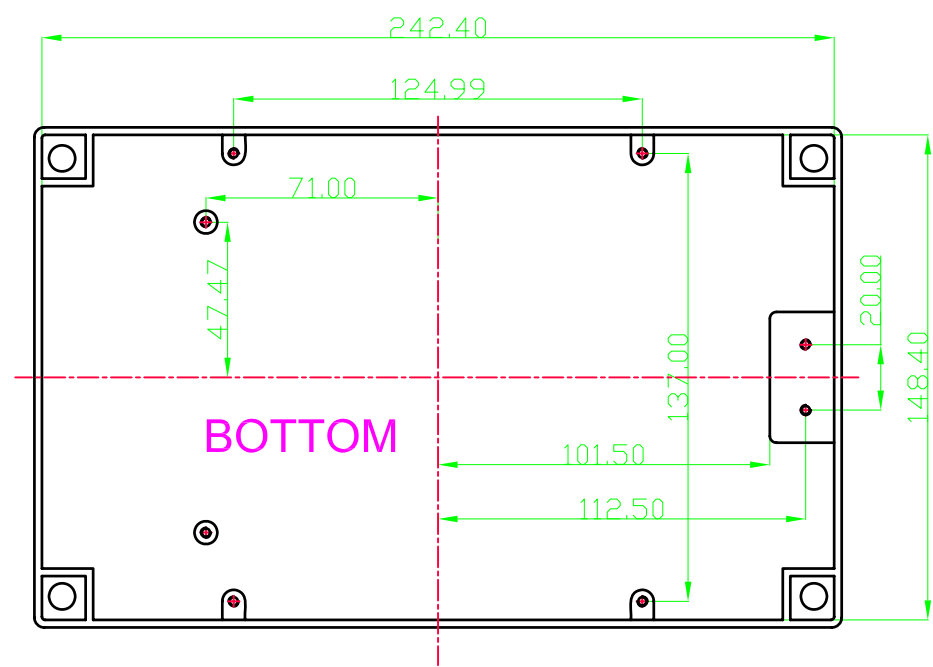
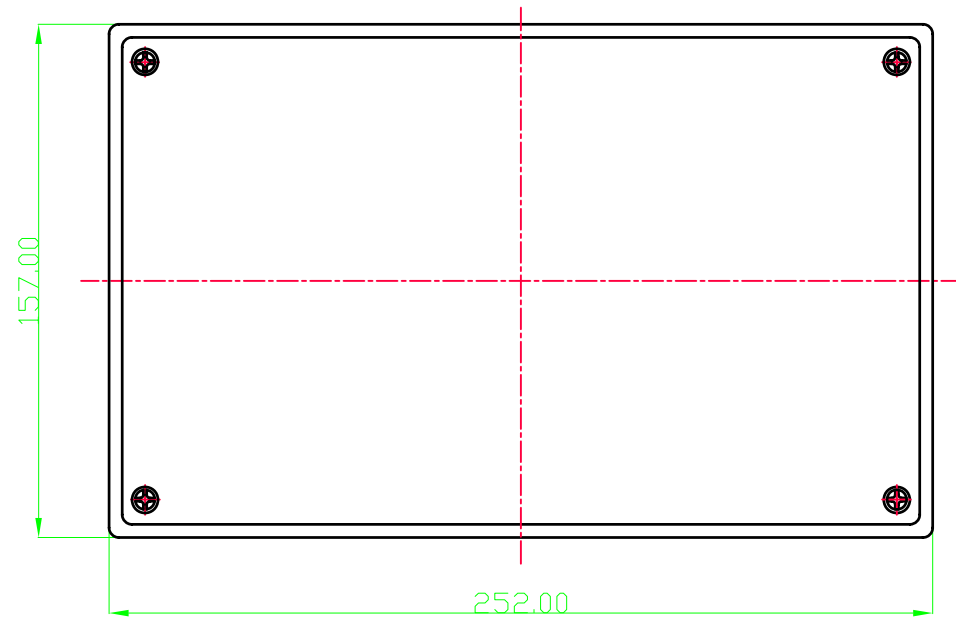
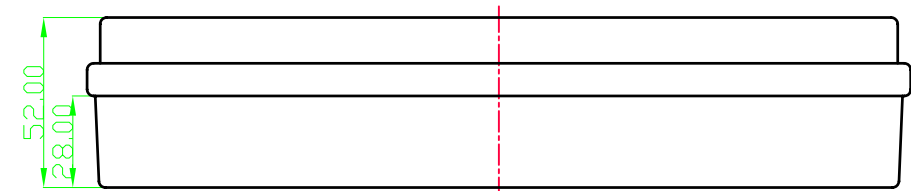
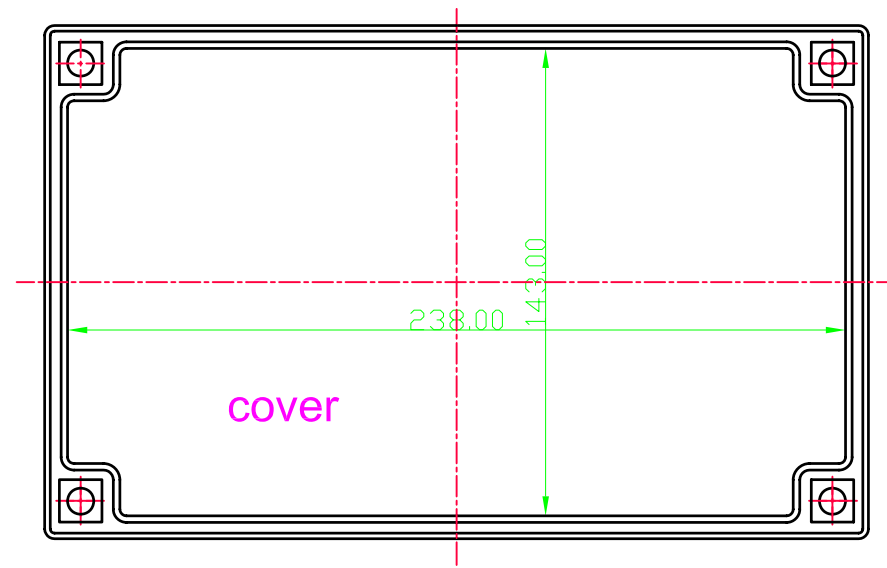


REVISION RECORD				
REV	ECD	DESCRIPTION	DRFT	CHKD



DETACHED LISTS	← MM (INCH) →	DFTD JOE.ZHON	DATE 01/15/09'	CHINA ENCLOSURE 赛诺模具壳体 WWW.CHINA-ENCLOSURE.COM	TITLE	FA17
	TOLERANCES EXCEPT AS NOTED	CHKD	DATE			
	MM	MFD	DATE			
	INCH	APPVL	DATE			
.0 ± 0.3	±	MATERIAL :	AL	DRAWING NO.	SIZE	REV
.00 ± 0.2	±	QT'Y :	A4			
.000 ± 0.1	±	FINISH:		/PART NO.	REV2	
ANGLES ± 5°	THIRD ANGLE PROJECTION	SCALE : 1:1	DD NOT SCALE DRAWING	SHEET X	OF Y	