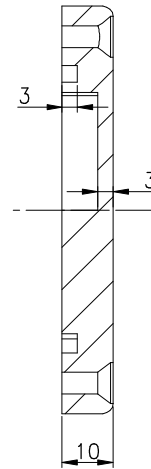
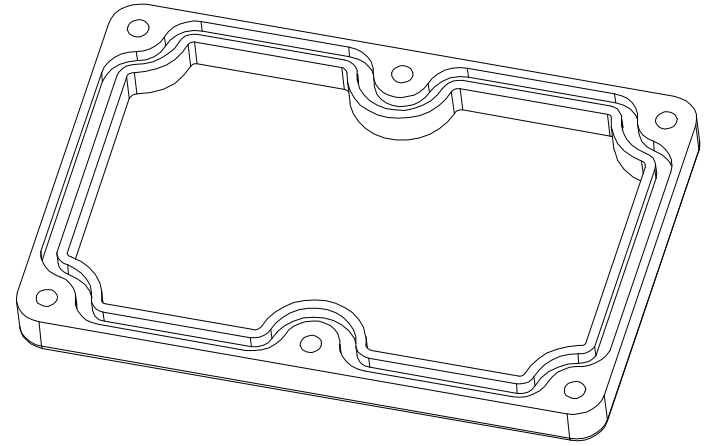
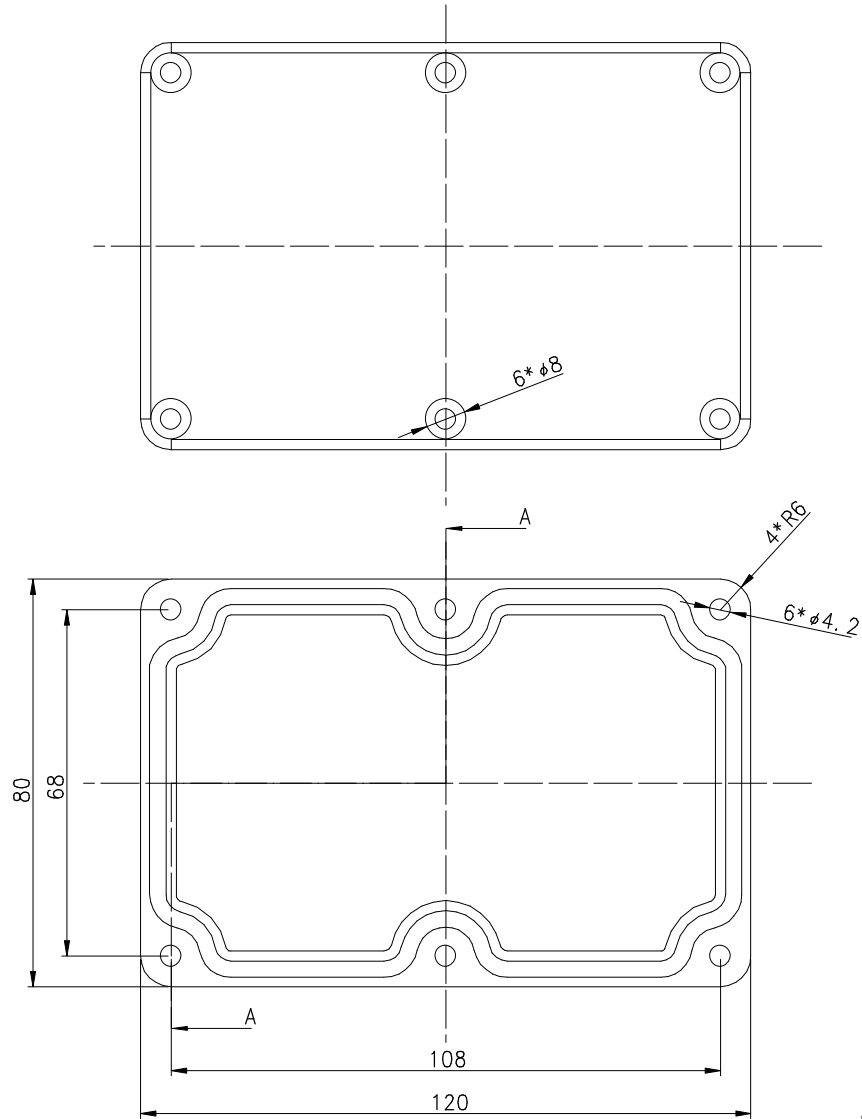


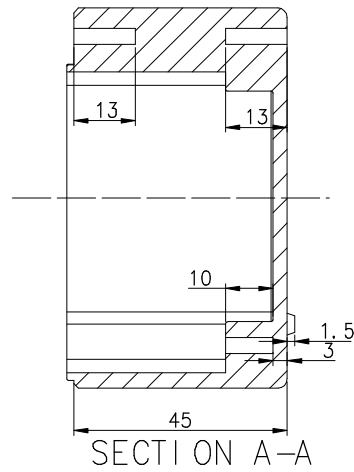
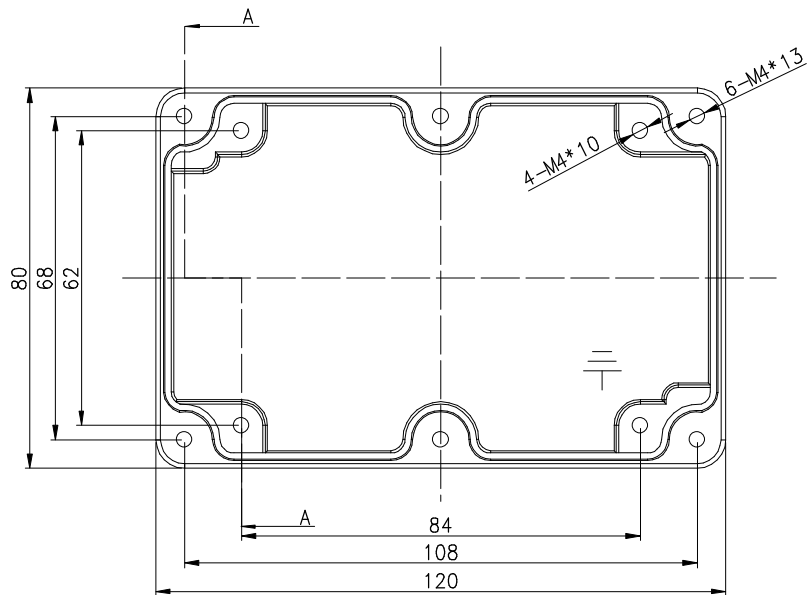
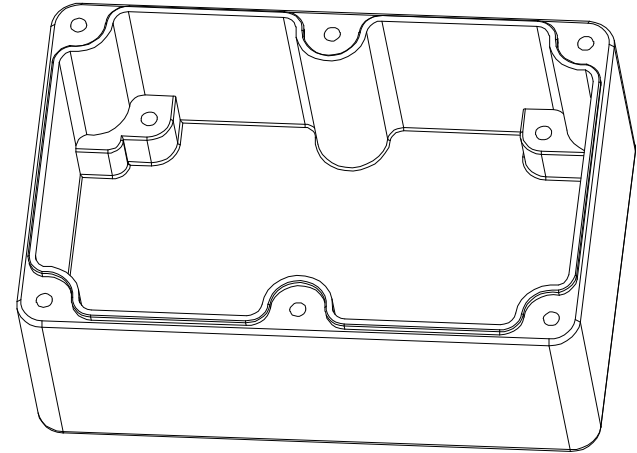
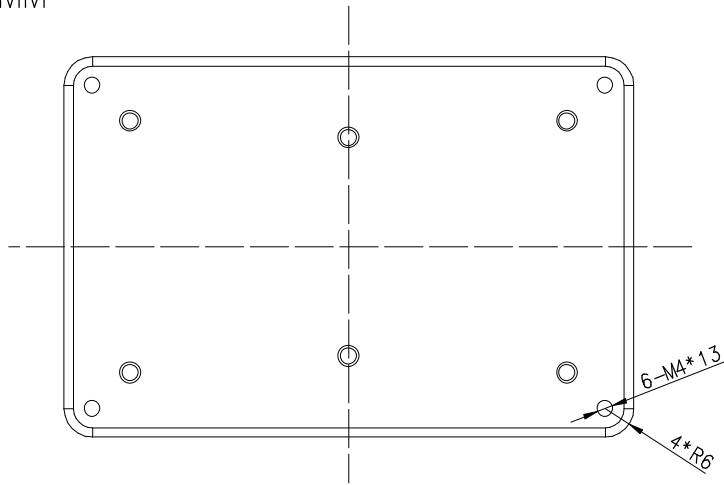
UNIT: MM



SECTION A-A

DRAWN:	WEIGHT:	TITLE: FA2 ALUMINUM ALLOY Waterproof Enclosure	PART. NO.: FA2-1
CHECKED:	SCALE:	DWG. NO: FA2	Ningbo Zhongkai Enclosure CO., LTD
ENG APPR:	MATERIAL:	SHEET 1 OF 1	
MFG APPR:	DATA:		

UNIT: MM



DRAWN:	WEIGHT:	TITLE: FA2 ALUMINUM ALLOY Waterproof Enclosure	PART. NO.: FA2-1
CHECKED:	SCALE:	DWG. NO: FA2	Ningbo Zhongkai Enclosure CO., LTD
ENG APPR:	MATERIAL:	SHEET 1 OF 1	
MFG APPR:	DATA:		