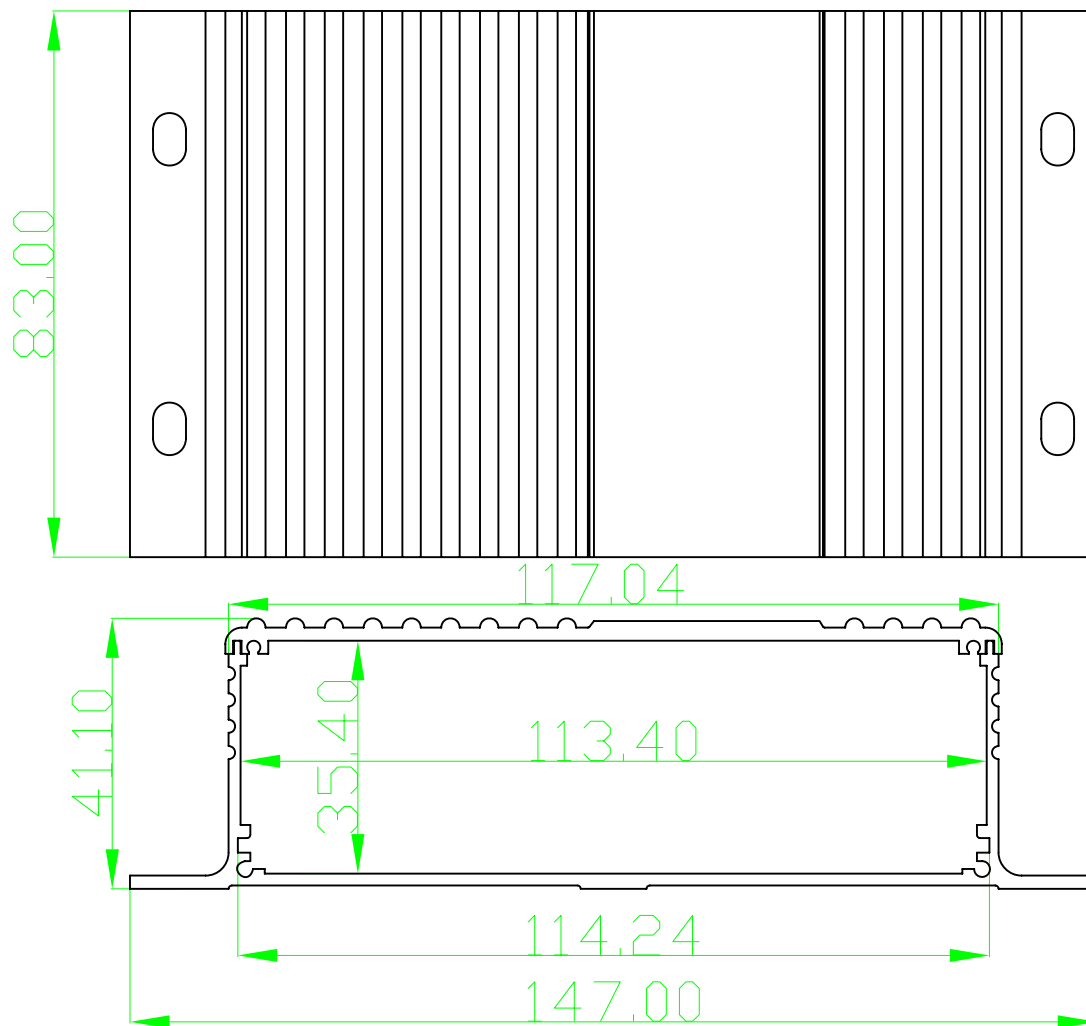

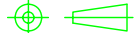


	CHKD



← (mm) →		CHKD zhongjioe	DATE 01/12/09	 CHINA ENCLOSURE 赛诺模具壳体 WWW.CHINA-ENCLOSURE.COM		
TOLERANCES EXCEPT AS NOTED		MFD SUNNY	DATE 01/16/09			
DETACHED LISTS	MM		APPVL	DATE	TITLE	
	.0 ± 0.2	±				AEH009
	.00 ± 0.1	±	MATERIAL : AL			
	.000 ± 0.05	±	QT'Y :			
ANGLES ± 5°		FINISH:		DRAWING NO.	SIZE	REV
 THIRD ANGLE PROJECTION		SCALE : 1:1		/PART NO.	A4	REV2
DO NOT SCALE DRAWING				SHEET 1	OF 1	